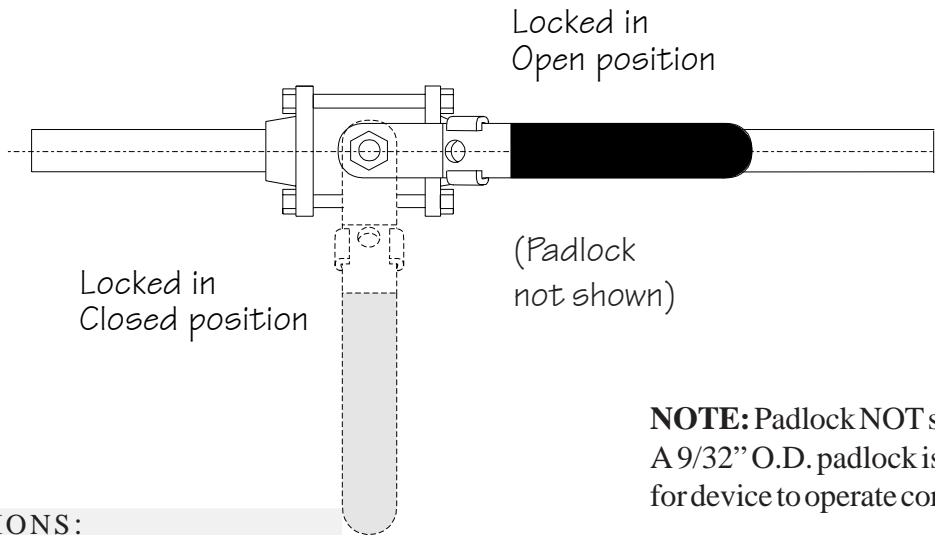
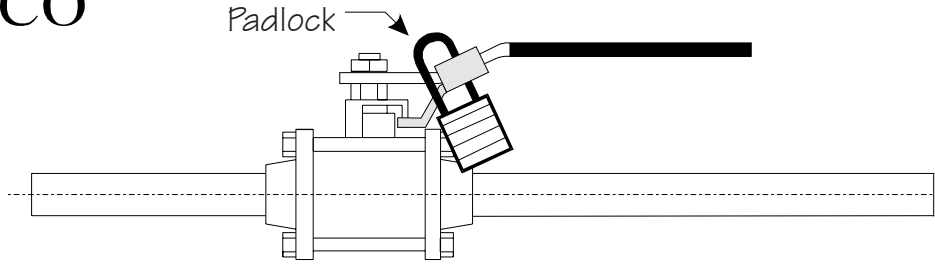


# LOCKING DEVICE FOR ISOLATION VALVE



**NOTE:** Padlock NOT supplied.  
A 9/32" O.D. padlock is recommended  
for device to operate correctly.

## SPECIFICATIONS:

Locking devices can be ordered as separate items  
or as complete assemblies on ball-valves:

2-1/2" valve must be disassembled to install locking  
device.

Model Numbers for Locking devices:

1/2"	=	V-X-LOCK-N-0205
3/4" - 1"	=	V-X-LOCK-N-0710
1-1/4" - 2"	=	V-X-LOCK-N-1220
2-1/2"	=	V-X-LOCK-A-25
3"	=	V-X-LOCK-N-30
4"	=	V-X-LOCK-N-40

Amico products comply with:  
ASTMB-88, ASTMB-16-92, ASMEB-31.1  
CGAG-4.1-96, CSAZ305.1, NFPA-99

Isolation Valve with Locking device:

### VV-ISO-GL-XX

	<b>Size:</b>	
	1/2"	= 05
	3/4"	= 07
	1"	= 10
	1-1/4"	= 12
	1-1/2"	= 15
	2"	= 20
2-1/2"	= 25	
3"	= 30	
4"	= 40	

"L" indicates, with  
locking device.

PROJECT:

---



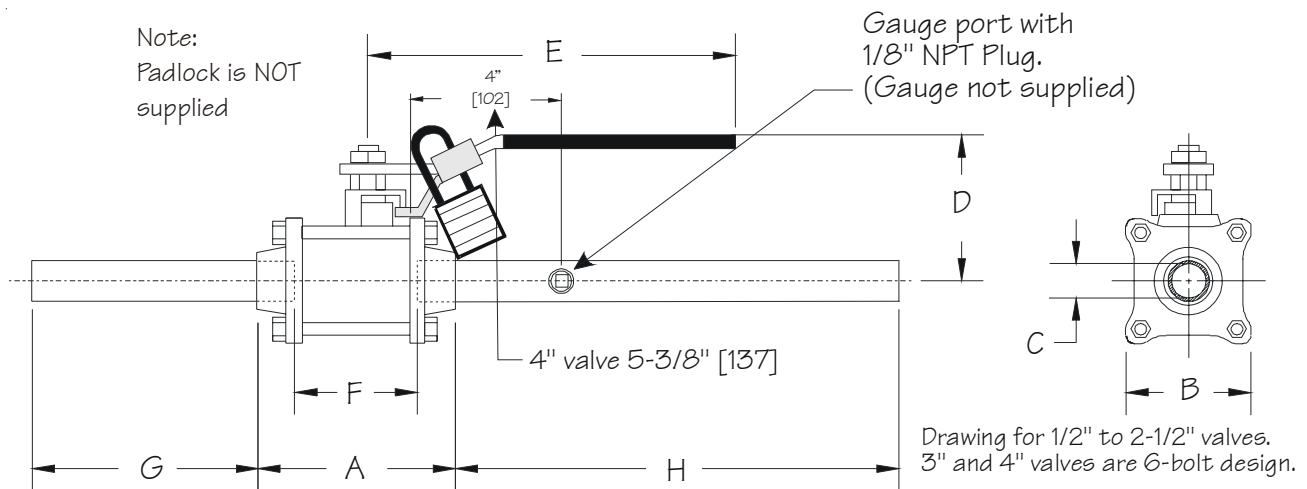
---



---



## D I M E N S I O N S



## M O D E L N U M B E R S

Units of measure: inch [mm]

Model #	Size	A	B	C	D	E	F	G	H	Bolts
VV-ISO-GL-05	1/2 [13]	2-1/16 [52]	1-13/16 [46]	1/2 [13]	2-1/32 [52]	3-29/32 [99]	1-1/16 [27]	7-1/4 [184]	11-3/4 [299]	4
VV-ISO-GL-07	3/4 [19]	2-15/16 [75]	1-15/16 [49]	3/4 [19]	2-9/32 [58]	4-21/32 [118]	1-7/16 [37]	6-3/4 [172]	11-1/2 [292]	4
VV-ISO-GL-10	1 [25]	3-21/32 [93]	2-1/2 [64]	1 [25]	2-1/2 [64]	4-21/32 [118]	1-27/32 [47]	6 [152]	11-1/4 [286]	4
VV-ISO-GL-12	1-1/4 [32]	3-29/32 [99]	2-11/16 [68]	1-1/4 [32]	3-1/8 [79]	6-11/16 [170]	1-31/32 [50]	5-5/8 [143]	11-1/4 [286]	4
VV-ISO-GL-15	1-1/2 [38]	4-19/32 [117]	3 [76]	1-1/2 [38]	3-11/32 [85]	6-11/16 [170]	2-13/32 [61]	5-1/4 [133]	11-1/8 [283]	4
VV-ISO-GL-20	2 [51]	5-25/32 [147]	4 [102]	2 [51]	3-11/16 [94]	6-11/16 [170]	3-3/32 [79]	5 [127]	9-1/8 [232]	4
VV-ISO-GL-25	2-1/2 [64]	6-15/16 [176]	5 [127]	2-1/2 [64]	4-11/16 [119]	8 [203]	4 [102]	12 [305]	12 [305]	4
VV-ISO-GL-30	3 [76]	8-1/2 [216]	7-11/16 [195]	3 [76]	5-9/16 [141]	18 [457]	5-3/16 [132]	11-7/8 [302]	11-7/8 [302]	6
VV-ISO-GL-40	4 [102]	11 [279]	10-1/4 [260]	4 [102]	6-3/4 [172]	18 [457]	6-11/16 [170]	19-7/8 [505]	19-7/8 [505]	6

D I S T R I B U T E D B Y :