

## STEP #1:

Attach wall bracket onto wall, using (4) mounting screws (3/16" diameter screws to be provided by the contractor).

## Step #2:

Insert Amico ceiling column outlet back body into the wall bracket. Insert the pipe-stub INTO the large cut-out hole. With (2) 6-32\*1/2" screws (provided with kit), tighten down the ceiling column outlet back body onto the wall bracket.

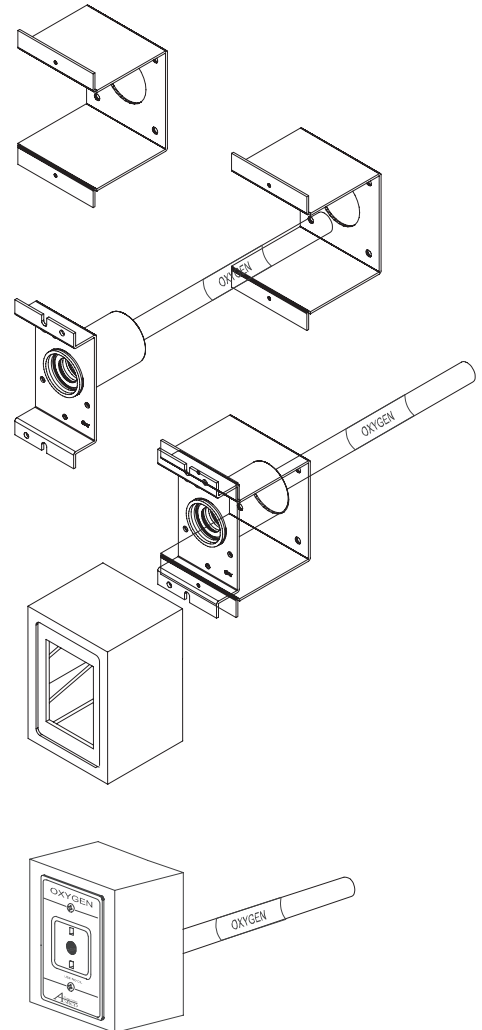
## Step #3:

Position the box cover over the wall bracket and ceiling column outlet back body.

NOTE: The cut-out located on the box cover must be placed over the pipe-stub.

## Step #4:

Insert the Amico latch-valve assembly into the ceiling column outlet back body. Use the screws on the latch-valve assembly to tighten the box cover and latch-valve into place.



### CAUTION!

*DO NOT* overtighten the latch-valve mounting screws. Distortion of the latch-valve can occur.

Surface mounting kit consists of: (1) wall bracket, (1) box cover and (2) flat head 6-32\*1/2" screws.

D I S T R I B U T E D   B Y :

