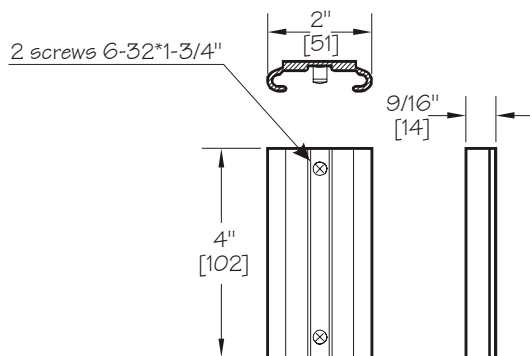


- NOTES: a) Slide brackets can be ganged together with wall outlets
b) Amico recommends that you have blank space between outlets and slides

Console



MODEL NUMBERS

Wall Slide: **O-WALSLIDE**
Console Slide: **O-CONSLIDE**

MATERIALS OF CONSTRUCTION

Slide: Anodized Aluminium
Stopper: Nylon
Screws: Plated Steel
Cover Plate: Chrome plated ZINC
Back-Assembly: Plated Steel

Available for M.R.I.

PROJECT:

D I S T R I B U T E D B Y :

A *Corporation*
AMICO 14 Madison Rd., Fairfield, NJ 07004 USA
85 Fulton Way, Richmond Hill, ON L4B 2N4 Canada

Tel: 1-877-GOAMICO (1-877-462-6426)
Fax: (905) 764-0862 www.amico.com

Jun-05