

# PRESSURE SWITCH FOR PRESSURE AND VACUUM

## SPECIFICATIONS:

Pressure and vacuum switches for the medical gas alarm system shall incorporate a U.L. Listed single pole double throw snap-action micro switch. The pressure switch shall be prewired with six color coded leads (3 leads for vacuum). Normally open or normally closed circuitry shall be field-selected to be compatible with the medical gas alarm system design. Electrical rating shall be 10 amperes at 120 volt AC.

The pressure switch shall be tested at 160 psi with an adjustable range of .5 to 80 psi and have external calibration dials with tamper-proof cover. Factory settings shall be 40 psi and 60 psi for pressure gases.

The vacuum switch shall be tested up to 30" Hg with an adjustable range of .8" to 29" Hg, preset at 12" Hg for the alarm condition.

The switch enclosure shall be a Nema 4 water tight housing with mounting bracket, 1/4" FNPT bottom inlet gas service line connection, and 3/4" FNPT top inlet conduit.

The Pressure Switch is **UL** Listed and **CSA** Approved.



## FEATURES:

- Removable copper diaphragm capsule.
- Instrument quality snap-action switch.
- Normally open or normally closed contacts.
- Nema 4 water-tight housing with mounting brackets.
- Pressure switches for normal 50 psig systems.
- Vacuum switches for normal 12-29" Hg.

## PROJECT:

---



---



---

# DIMENSIONS

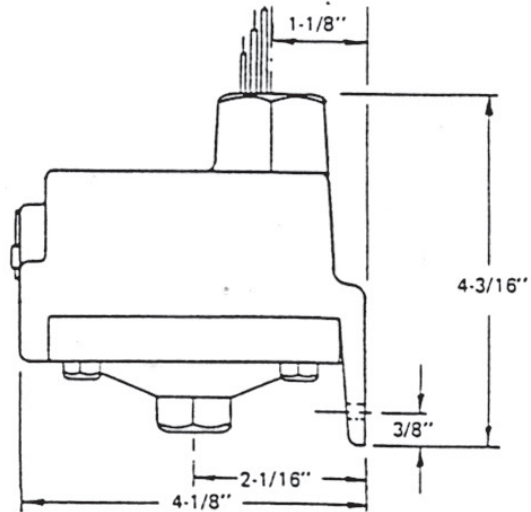
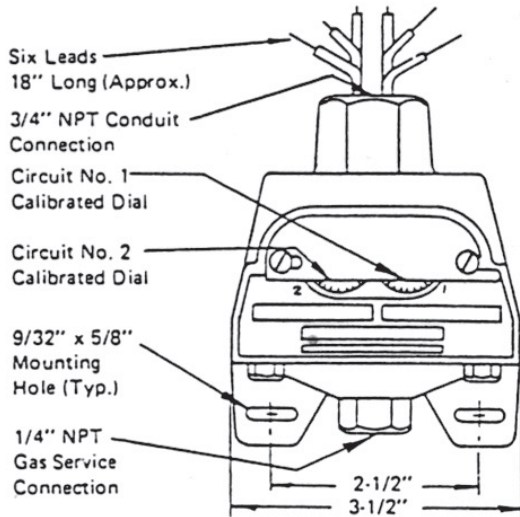
## SWITCH ADJUSTMENT

### Pressure

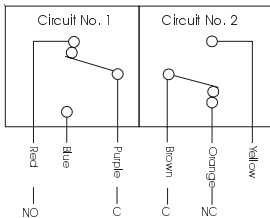
Turn self locking adjustment screw counter-clockwise to increase pressure setting (all dials calibrated for increasing settings).

### Vacuum

Turn adjustment screw counter-clockwise to approach atmospheric pressure.



## WIRE CODING



### Wiring Coding: Pressure

Switch Circuit #1 Low  
 Common - Purple  
 Normally Closed - Blue  
 Normally Open - Red

Circuit #2 High  
 Common - Brown  
 Normally Closed - Orange  
 Normally Open - Yellow

### Wiring Coding: Vacuum

Switch Circuit #1  
 Common - Purple  
 Normally Closed - Red  
 Normally open - Blue

## MODEL NUMBERS

M-PRSW-GAS = Pressure Switch for use with Medical Air, Oxygen, Nitrous Oxide, Carbon Dioxide or other 50 psi gas services.

M-PRSW-VAC = Pressure Switch for use with: Vacuum service.

## DISTRIBUTED BY: