

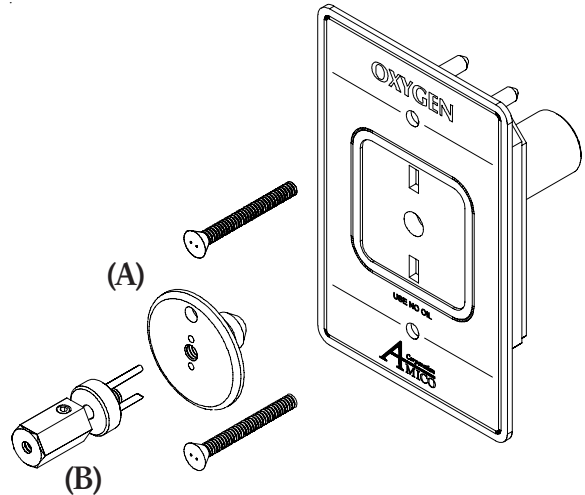
SPECIFICATIONS:

The Ohmeda Locking device shall be an Amico **Alert-1** Series.

The locking device shall limit any tampering with the internal primary check assembly of the latch-valve.

Each device will plug into place without causing an interruption of the seal. When outlet is needed to be used, a key will be inserted into the lock, and turning the key will allow the lock to popout.

The locking device is made from machined brass that is chrome plated for an aesthetic appearance. The key is made from machined brass and stainless steel. The brass is also chrome plated for aesthetic appearance.



MODEL NUMBERS

S-OHM-LOCK (A)

The Ohmeda locking kit is made up of:
(1) Brass (chrome plated) lock

S-OHM-KEY (B)

The Ohmeda locking key includes:
(1) Brass (chrome plated) and Stainless Steel key

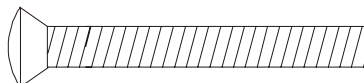
Additional Items Sold Separately

H-OH-0615-TAMP

(2) Tamper Proof 6-32 x 1-1/2" SS Mach.Screw



Top View



Side View

O-X-LVA-TAMPBIT

Screwdriver bit for tamper proof screw.

PROJECT:

DISS LOCKING DEVICE

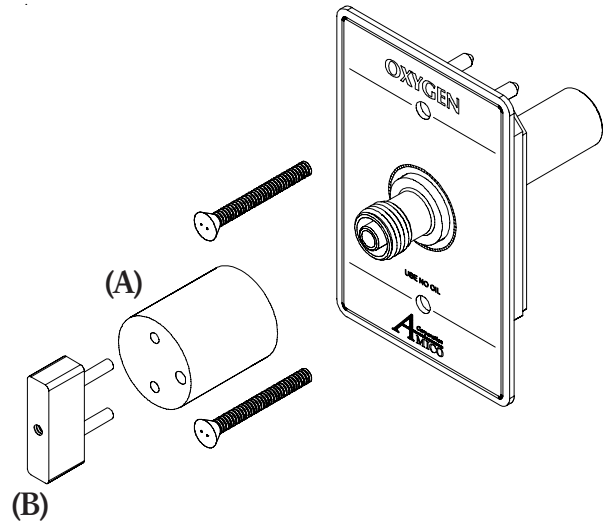
SPECIFICATIONS:

The DISS Locking device shall be an Amico **Alert-1** Series.

The locking device shall limit any tampering with the internal primary check assembly of the latch-valve.

Each device will screw onto place without causing an interruption of the seal. When outlet is needed to be used, a key will be inserted into the lock, and turning the key will allow the device to be loosened for removal.

The locking device is made from anodized aluminium for an aesthetic appearance. The key is made from anodized aluminium and stainless steel.



MODEL NUMBERS

O-LOCK-DIS-OXY (A) OR O-LOCK-DIS-OTH

The DISS locking kit is made up of:
(1) Brass (chrome plated) Oxygen nut

The Ohmeda locking key includes:
(1) Brass (chrome plated) Gas (Air,CO₂,N₂O,Nit,Vac) nut.

O-LX-KEY-ALL (B)

The DISS locking key includes:
(1) Anodized aluminium key (All Gases).
(1) Tamper proof screwdriver

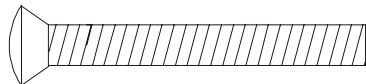
Additional Items Sold Separately

H-OH-0615-TAMP

(2) Tamper Proof 6-32 x 1-1/2" SS Mach.Screw



Top View



Side View

O-X-LVA-TAMPBIT

Screwdriver bit for tamper proof screw.

D I S T R I B U T E D B Y :