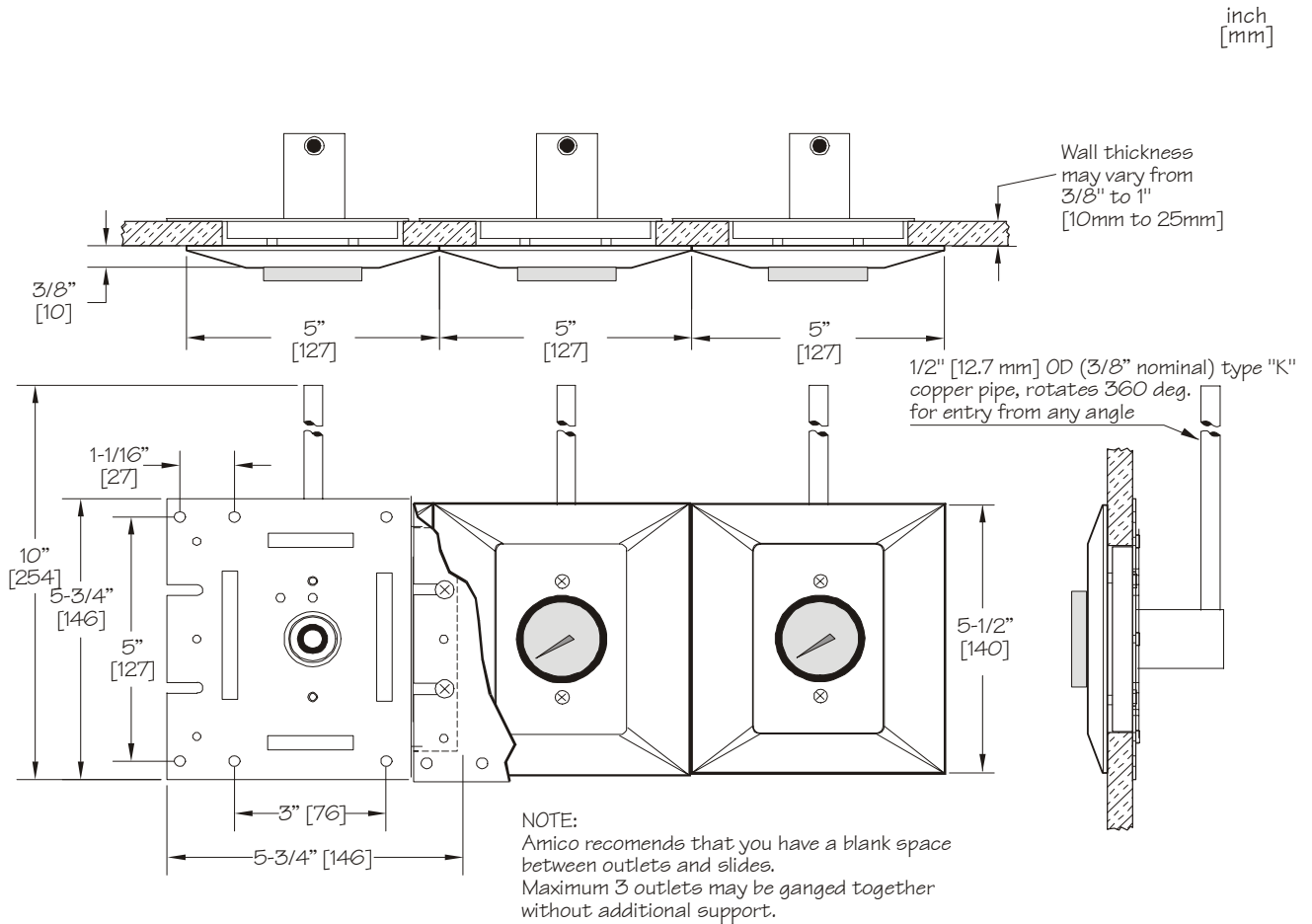


**D I M E N S I O N S**



**M O D E L N U M B E R S**

**O-GAWAL-L-XXX**

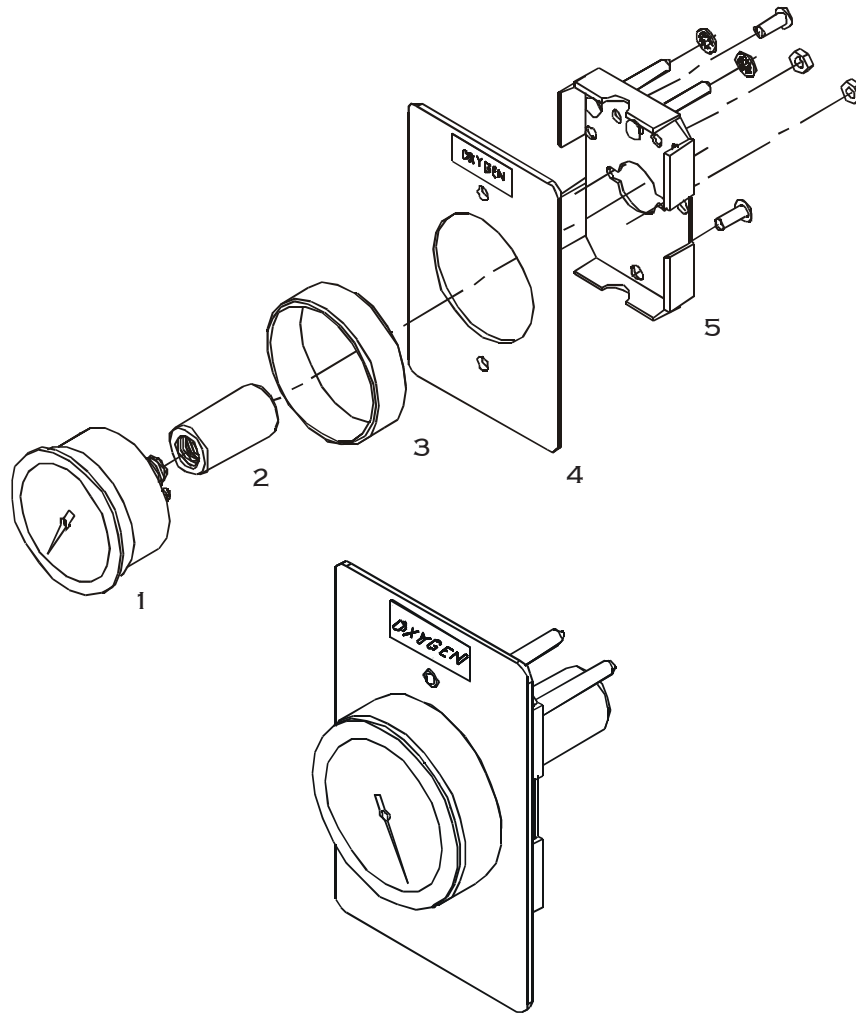
- U = English(NFPA)
- E = English(CSA)
- F = French(CSA)
- S = Spanish(NFPA)

Example:  
Oxygen NFPA = O-GAWAL-U-OXY

The XXX defines the Gas:

- Oxygen = OXY
- Medical Air = AIR
- Nitrogen = NIT
- Carbon Dioxide = CO2
- Nitrous Oxide = N2O
- MedVac = VAC
- Waste Anesthetic Gas Disposal = WAG (NFPA)
- Anesthetic Gas Scavenging System = AGS (CSA)

# GAUGE ASSEMBLY



- 1 O-X-GAUGE-100 (0-100 PSI)  
O-X-GAUGE-300 (0-300 PSI)  
O-X-GAUGE-VAC (0-30 Hg<sup>''</sup>)
- 2 O-X-LVA-GA-ADAP
- 3 O-X-LVA-COLL-GA
- 4 O-X-LVAPD-L-XXX
- 5 O-X-LVA-BAKPLT

DISTRIBUTED BY :