

**SPECIFICATIONS:**

The medical gas outlet shall be an Amico **Alert-1** series.

Outlets shall be manufactured with a 6 - 1/2" [65 mm] length type "K" 1/2" [12.7 mm] outside diameter (3/8" nominal) size copper inlet pipe stub, which is silver brazed to the outlet body. The body shall be of 1 - 5/16" [33 mm] diameter, one piece brass construction. For positive pressure gas services, the outlet shall be equipped with a primary and secondary check valve and the secondary check valve shall be rated at a maximum of 200 psi [1,379 kPa] in the event the primary check valve is removed for maintenance. Outlet bodies shall be gas specific by indexing each gas service to a gas specific dual pin indexing arrangement on the respective identification module.

A large color coded front plate shall be used for ease of gas identification and aesthetic appeal.

With the back rough-in mounted the outlet shall adjust up to 3/4" [19 mm] variation in mounting plate thickness.

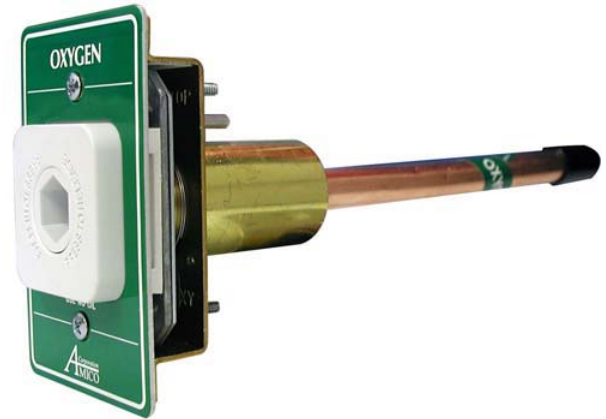
The latch valve assembly shall be Puritan-Bennett Quick Disconnect compatible and accept only corresponding type gas specific adapters.

All M.R.I. outlets are manufactured from nonferrous materials.

All outlets shall be cleaned and degreased for medical gas service, factory assembled and tested.

The outlets are **UL** Listed and **CSA** approved.

Amico products comply with NFPA-99.



**FEATURES:**

- Flow rate exceeds the requirements of NFPA and CSA
- Accepts only Puritan-Bennett gas specific adapters
- 100 % hydrostatic testing of each outlet and cleaned for medical gas service
- Indexed to eliminate interchangeability of gas services
- Up to 3/4" [19 mm] mounting plate thickness adjustment
- Universal rough-in assembly to accept Quick Disconnects or DISS front adapters (Can be interchanged at any time)
- Outlets are also available for M.R.I. use



**PROJECT:**

---



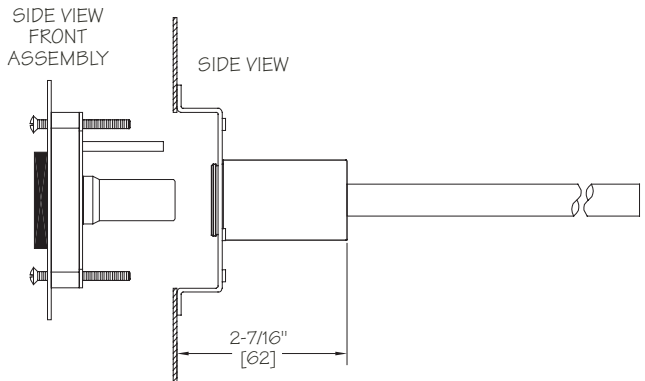
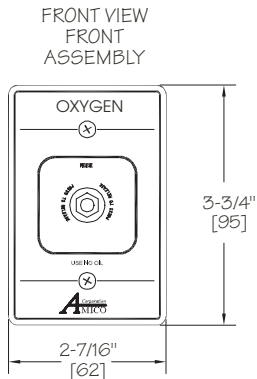
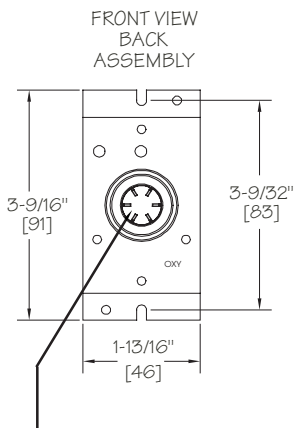
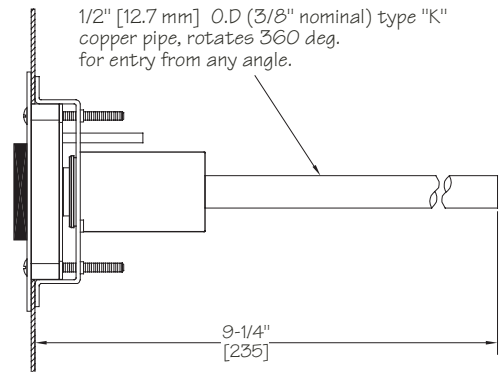
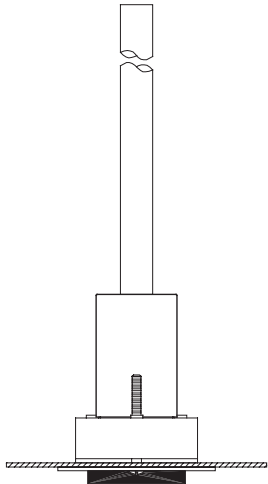
---



---

# DIMENSIONS

inch  
[mm]



<sup>1</sup>**NOTE:** Suction inlets are not supplied with a secondary check valve.  
A pressure plug is provided for testing purposes, rated at 150 psi [1,034 kPa].



## MODEL NUMBERS

The L defines the Language:

**O-PBCCOL-L-XXX**

- U = English (NFPA) Oxy, Air, Vac and WAG only
- E = English (CSA/ISO)
- F = French (CSA/ISO)
- S = Spanish (NFPA)

Example:  
English NFPA, Oxygen = O-PBCCOL-U-OXY

The XXX defines the Gas:

- Oxygen = OXY
- Medical Air = AIR
- Nitrous Oxide = N2O
- MedVac<sup>1</sup> = VAC
- Waste Anesthetic Gas Disposal<sup>1</sup> (NFPA) = WAG
- Anesthetic Gas Scavenging System<sup>1</sup> (CSA) = AGS

<sup>1</sup>Please see note above

## DISTRIBUTED BY: