



# Installation Instructions

**regal series**  
power columns



## Before Installation

### note

Power column installation should conform to local building codes

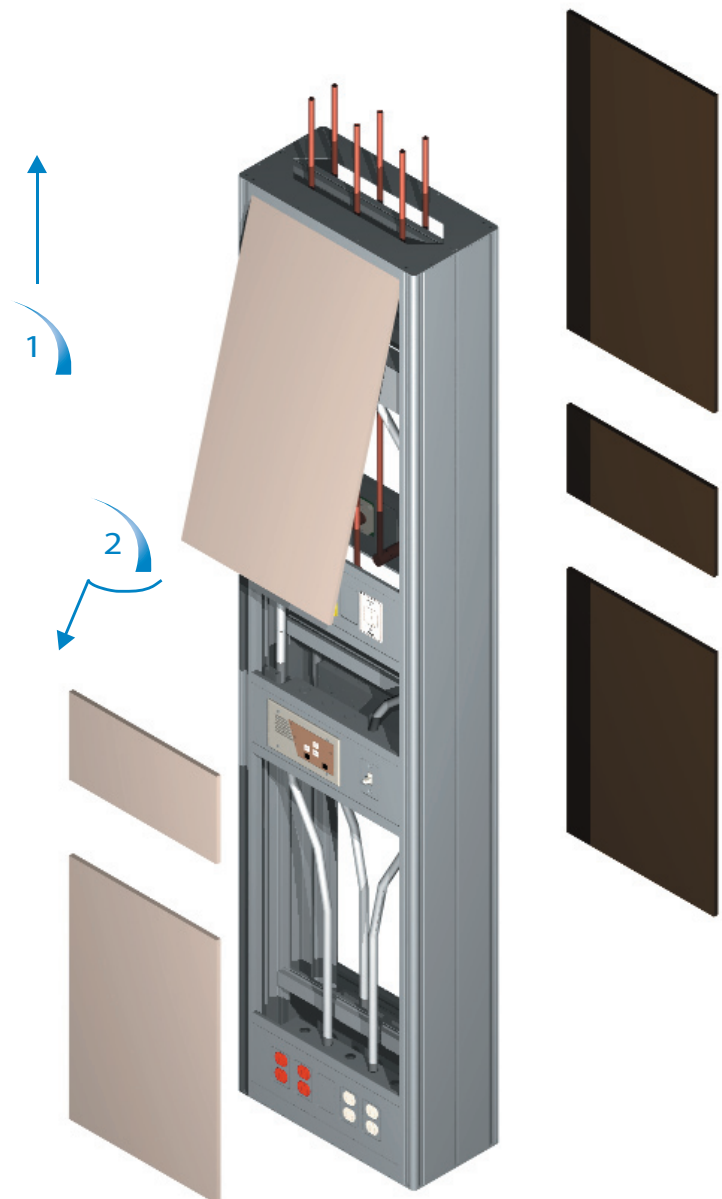
- 1 Review a copy of the final approved shop drawing(s) and/or submittal package. These documents will provide you with technical information specific to your installation, such as:
  - equipment types & quantities
  - room numbers and location
  - shop drawings of each unit type
  - wiring diagrams and rough-in locations
- 2 Locate the power column from the shipping boxes that you wish to install. The contents of each shipping box are listed on the shipping document(s).

Installation

- 1 Remove laminate panels from power column (using tool provided) by lifting panels vertically until resistance is felt, then rotate bottom of panel out and pull down. Be careful not to drop panel.



tool provided:  
suction cup



2 Refer to following figures to complete installation.

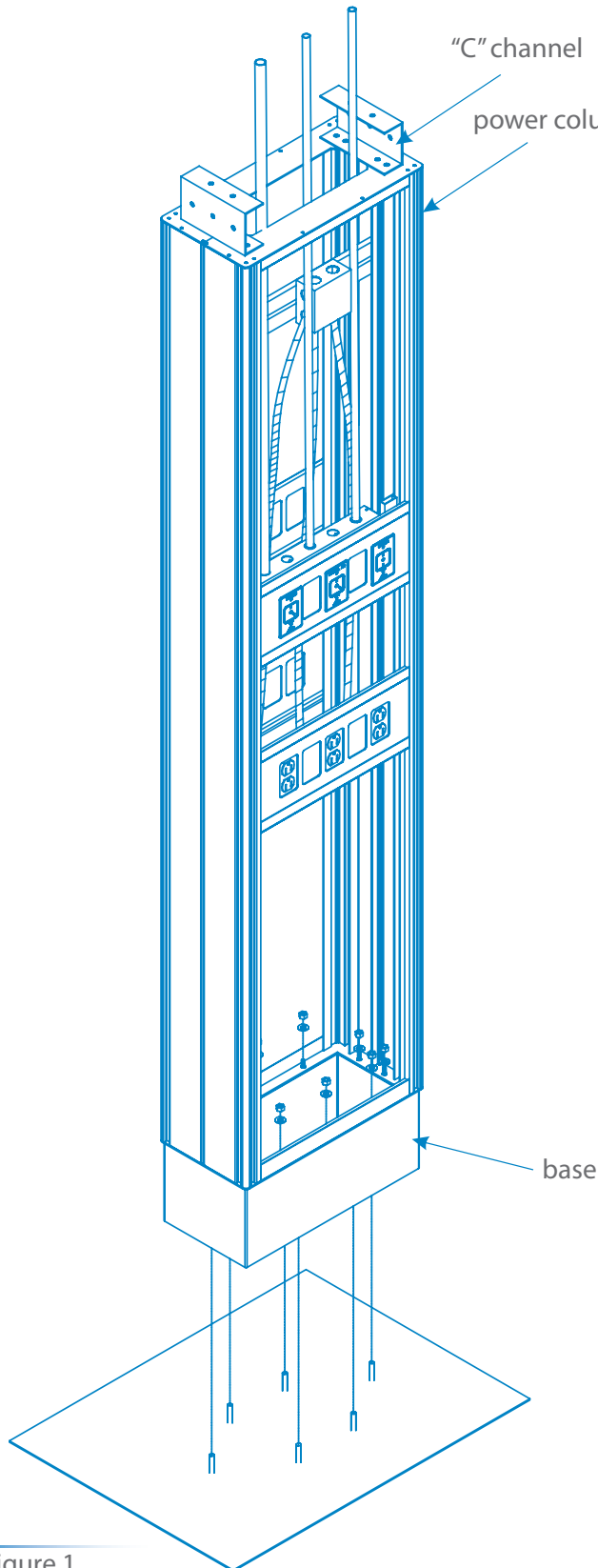


Figure 1

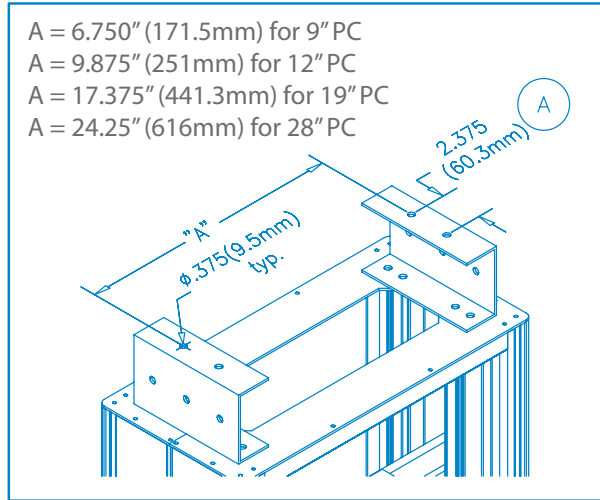


Figure 2

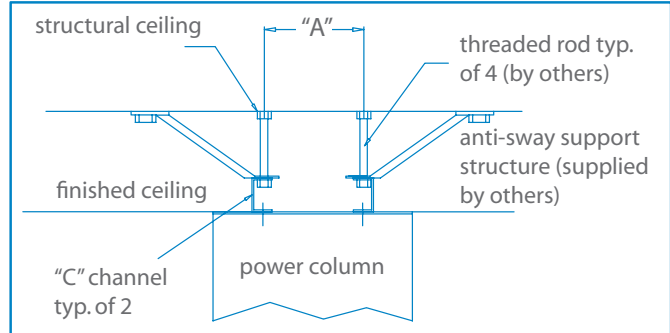


Figure 3

- 3 Anchor base of column to floor (hardware by others). Note that base does not have to be removed to complete this step. See figure 1.
- 4 Structural bracket(s) and hardware to attach to Amico column are to be supplied and installed by others (see figure 3). Amico provides 2 "c" channels attached to the column to mate with this structural support (see figure 2).
- 5 All line voltage devices within the column are pre-wired to dedicated junction boxes, located as per shop drawings (either inside the column, or located outside the column via conduit). Connect normal and emergency power at these junction boxes.
- 6 Amico provides a low voltage termination box and conduits to the low voltage devices within the column. Low voltage devices are supplied, installed, and wired by others.
- 7 All medical gas and vacuum outlets within the column are manifolded to a single point connection for each gas at the top of the column to facilitate installation. Appropriate contractor to connect to hospital supply at this point, following applicable building code(s).
- 8 Insert laminate panels removed in [step 1](#).



85 Fulton Way, Richmond Hill  
Ontario, L4B 2N4, Canada

14 Madison Road, Fairfield  
NJ 07004, USA

Toll Free Tel: 1.877.462.6426  
Toll Free Fax: 1.866.440.4986  
Tel: 905.764.0800 | Fax: 905.764.0862  
[www.amico.com](http://www.amico.com)

