



# Installation Instructions

**majestic series**  
light tier horizontal headwall



## Before Installation

### caution

Please do not lift headwall by the plastic end caps

### note

Headwall installation should conform to local building codes

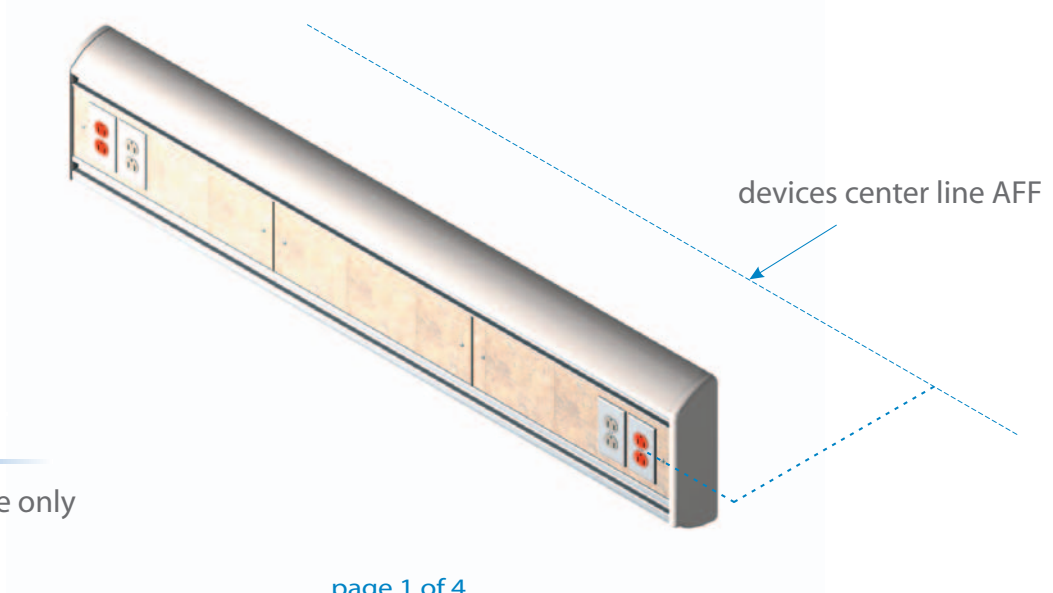
- 1 Review a copy of the final approved shop drawing(s) and/or submittal package. These documents will provide you with technical information specific to your installation, such as:

- equipment types & quantities
- room numbers and location
- shop drawings of each unit type
- wiring diagrams and rough-in locations

- 2 Locate the headwall unit from the shipping boxes that you wish to install. The contents of each shipping box are listed on the shipping document(s).

## Installation

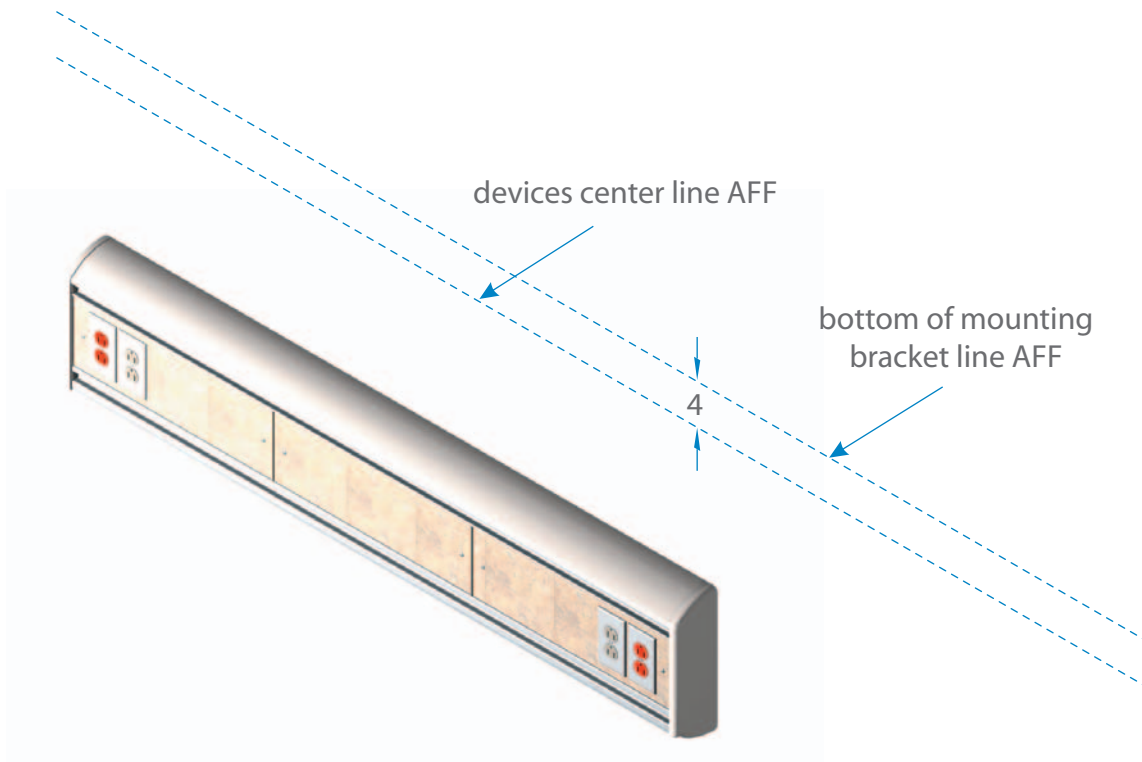
- 1 Using shop drawings, mark both devices center line AFF (above finished floor) on wall.



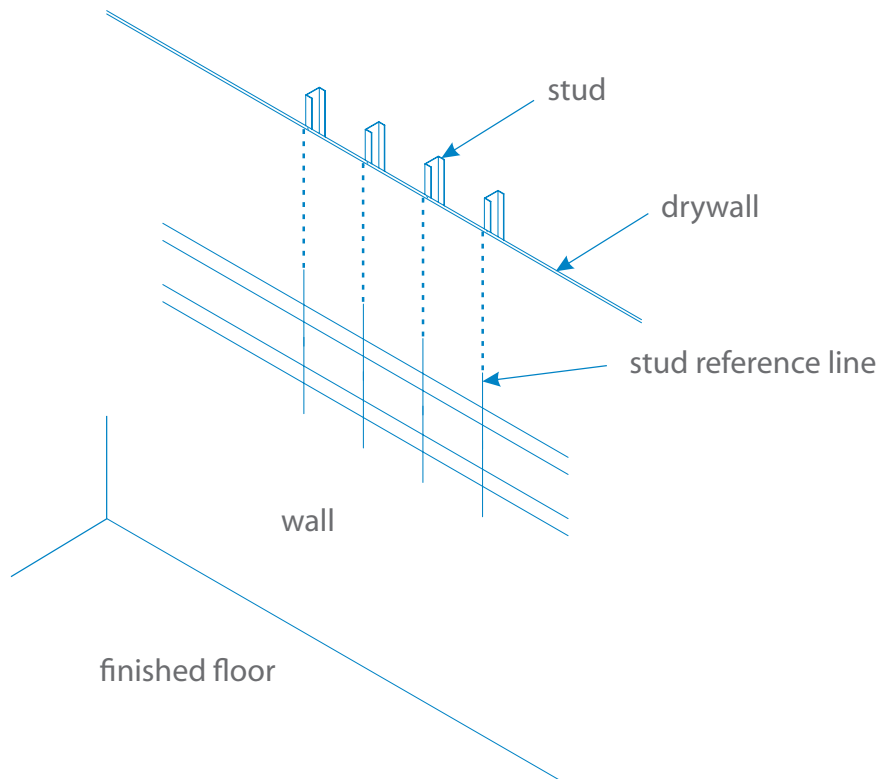
### note

Unit shown for reference only

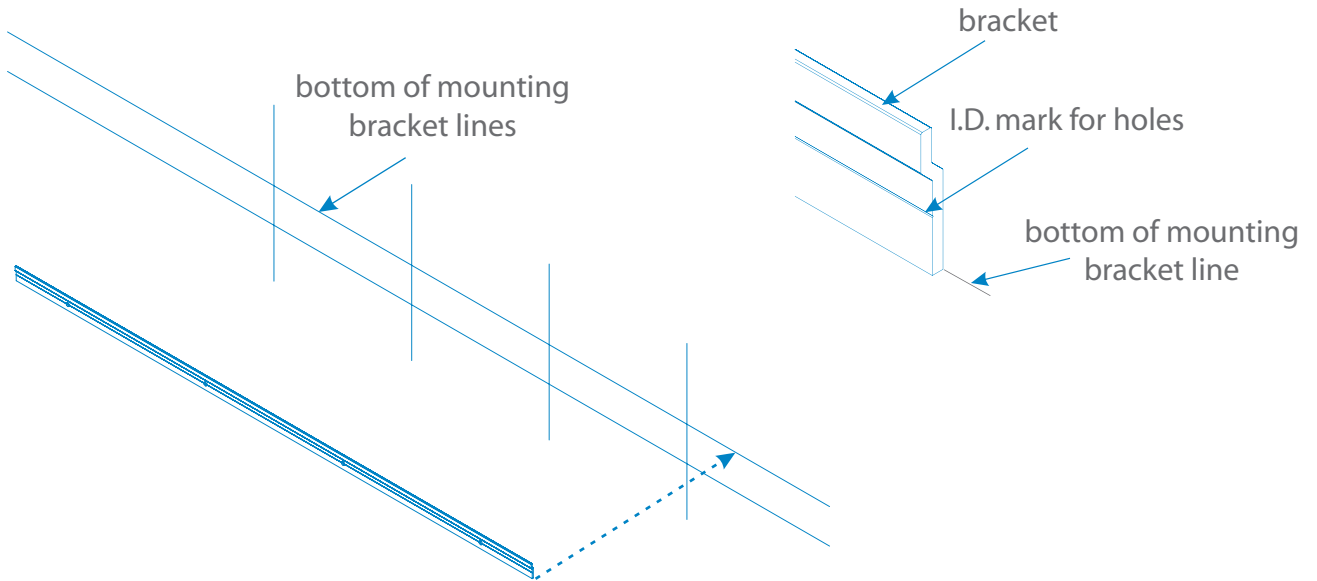
- 2 Mark horizontal line for bottom of mounting bracket (to be installed later). This line is to be offset 4" (102 mm) above devices center line.



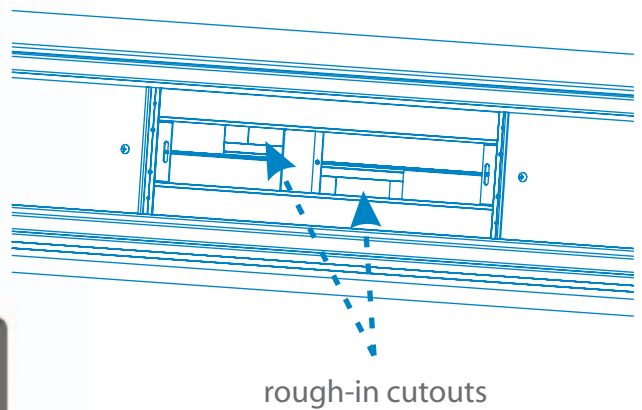
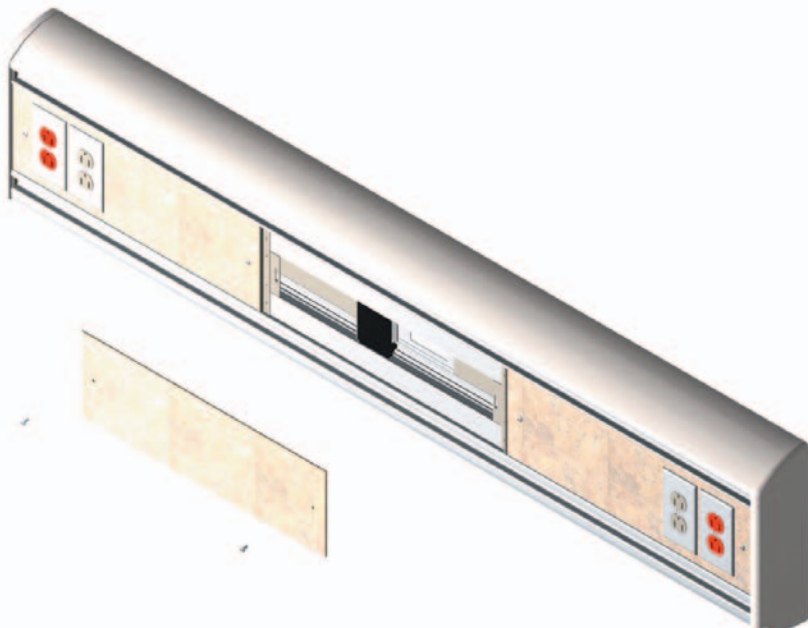
- 3 Using a stud locator, mark the location of any metal studs in the building wall that intersect the headwall mounting location.



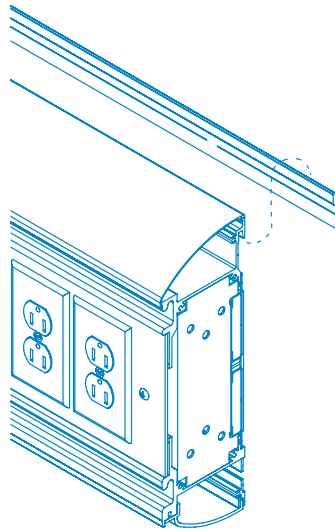
- 4 Mount the bracket(s) on the wall using hardware compliant to local building codes (supplied by others). Align bracket(s) horizontally according to headwall mounting location. Refer to drawings. Bracket includes I.D. marks for locating holes vertically, which are to be drilled on-site according to location of studs. Remember to align bottom of bracket to "bottom of bracket" line marked in step "2".



- 5 Check rough-in drawing(s) for electrical rough-in locations. Remove any device cover plates preventing removal of fascia, if necessary, then remove fascia panel(s) for access to rough-in locations.



- 6 Hang the headwall unit on the wall, over the mounting bracket, and center the unit with reference to bed center line. Verify rough-in locations in wall and align with rough-in provisions on headwall.

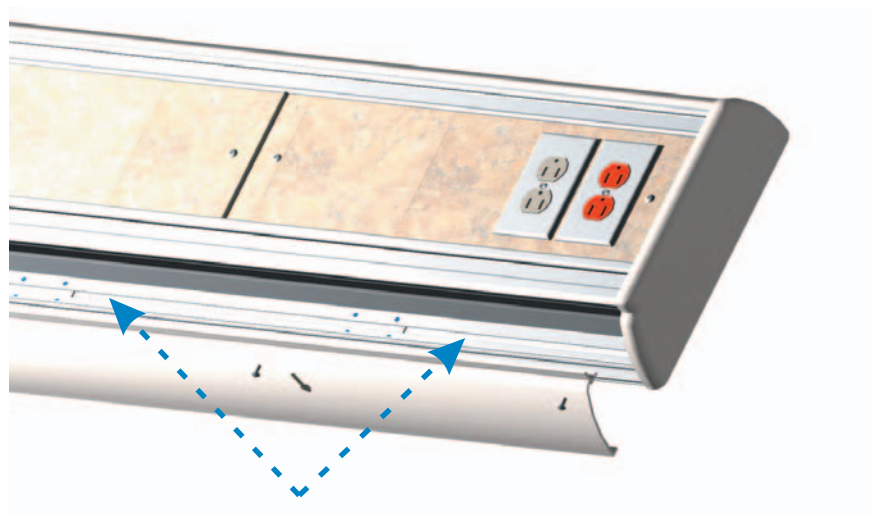


note

End plate and cover removed for clarity.  
Do not remove!

- 7 Make all necessary electrical connections at rough-in locations.

- 8 Remove lower cover for mounting access. Secure headwall to the wall through lower section using hardware compliant to local building codes (provided by others). Lower bracket is to be drilled on-site according to stud location. Replace cover when done.



lower mounting  
locations

- 9 Replace any fascia panels and covers removed in [step 5](#).



85 Fulton Way, Richmond Hill  
Ontario, L4B 2N4, Canada

14 Madison Road, Fairfield  
NJ 07004, USA

Toll Free Tel: 1.877.462.6426

Toll Free Fax: 1.866.440.4986

Tel: 905.764.0800 | Fax: 905.764.0862

[www.amico.com](http://www.amico.com)

