



# Gas Control Panel Operation & Maintenance Manual



## GAS CONTROL PANEL



SUPPLY PRESSURE

OUTLET PRESSURE

OPEN

NITROGEN

CLOSED

PRESSURE REGULATOR

GAS OUTLET

1. Open the supply valve and set the supply pressure.
2. Control the pressure to the gas outlet.
3. Set the pressure regulator to the desired pressure.
4. Check the outlet pressure for required pressure.
5. Close supply valve when not in use.
6. Set the regulator fully in the clockwise position.
7. Always use proper safety procedures.

## DESCRIPTION

The Amico Gas Control Panel is designed to deliver Nitrogen or Air to turbo-surgical tools. The Panel consists of a Shut-off valve, Delivery and Supply pressure Gauges, Pressure Regulator and DISS Outlet, in addition an outlet pipe is supplied that can be piped to additional Gas outlets.

## RELIEVING and NON-RELIEVING

The panel comes in two styles “Relieving” and “Non-relieving”. A relieving panel allows gas to vent from the regulator, to reduce the pressure from the **OUTLET PRESSURE** side of the panel. CSA requires that a non-relieving panel be used where CSA Standards are practiced.

## OPERATION

1. Turn the Shut-off valve to the “Open” position.
2. Verify that the correct supply pressure is available on the supply gauge.
3. Attach a tool to the DISS outlet and tighten the nut (do not over tighten) or HP “*Safety-Swing Coupling*” outlet.
4. Adjust the pressure regulator to the required pressure by observing the Outlet Gauge.
5. Operate the surgical tool and observe the outlet pressure and adjust if needed.
6. When the control panel is not in use reduce the outlet pressure to “zero” and turn off the supply valve.

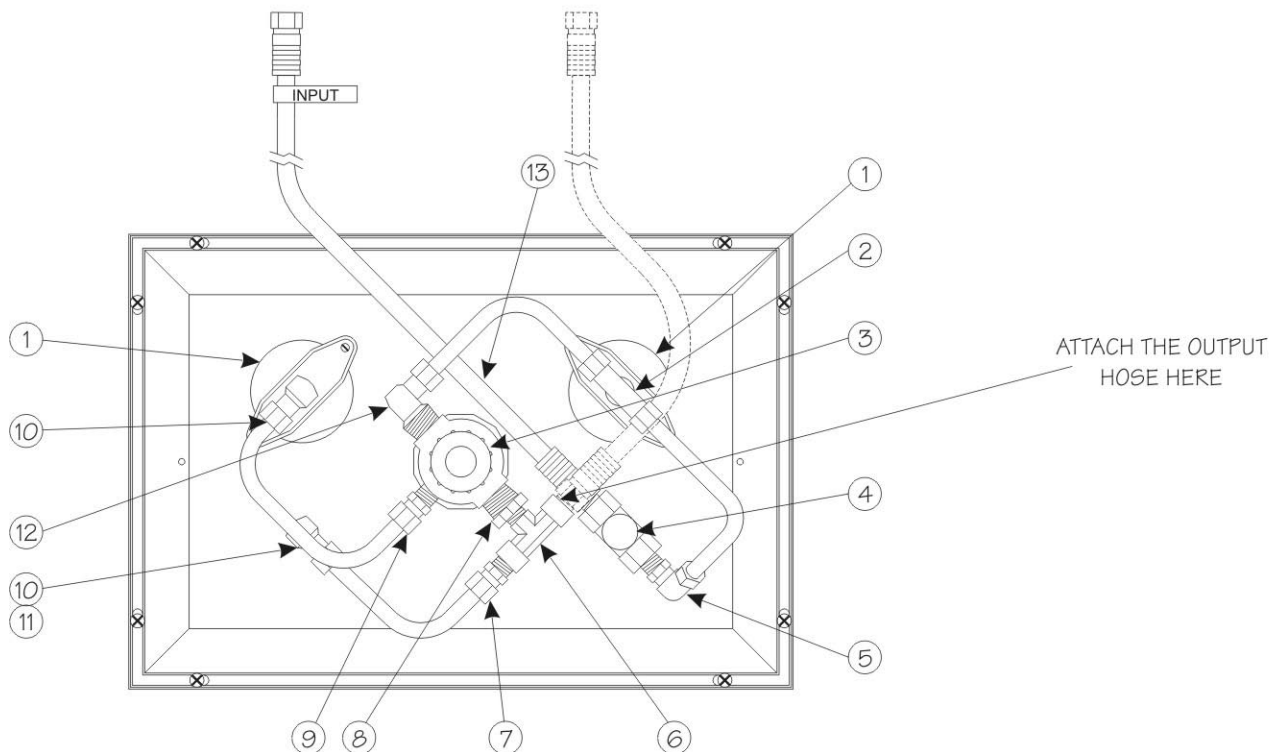
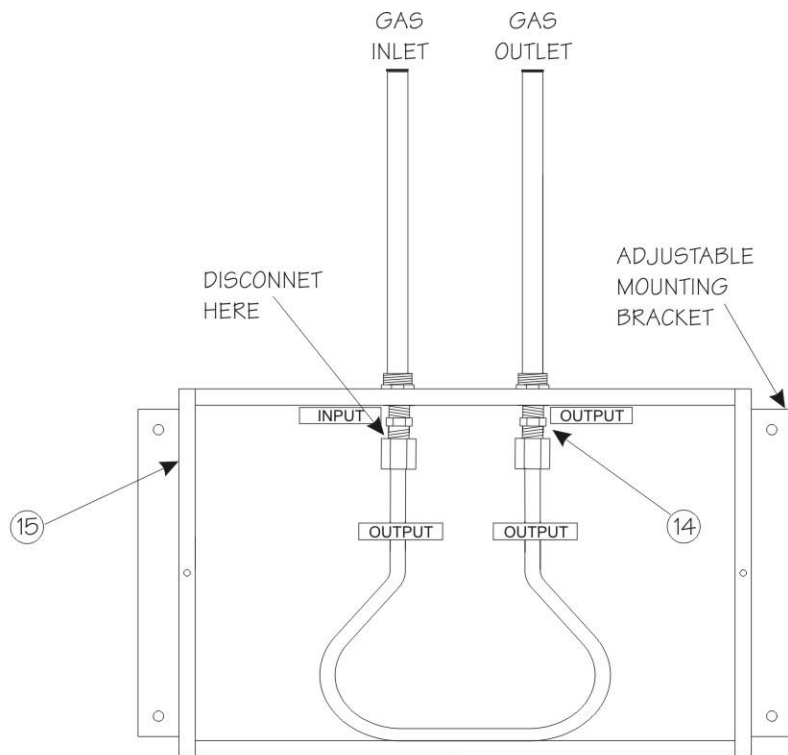
## INSTALLATION

Mount the back-box into the wall and adjust the adjustable side mounting brackets so that the top of the box will be flush with the finished drywall. Connect the inlet pipe to the gas pipeline and the outlet to additional outlet(s), this is optional. The pipeline can now be pressure tested to the required testing pressure. The outlet High Pressure Hose is shipped with one end connected to the outlet and the other end connected to the inlet on the nitrogen back box. This is to be able to pressure test the complete pipeline including remote outlets, without having to attach the front assembly.

To attach the front assembly to the back box, open the compression fitting on the output hose attached to the input compression fitting. The hose will now be attached to the outlet side only, this hose is marked “OUTPUT”. Attach the other side of this hose to the front assembly on the “Tee” on the regulator marked “OUT”. Tighten the compression fitting, do not over tighten. The other hose that is marked “INPUT” is already attached to the frame assembly Shut-off Valve. Connect the other end marked “INPUT” to the input in the back box, tighten the compression fitting. Mount the frame assembly to the back box with the enclosed machine screws.

## PARTS LIST

Nitrogen control panel English DISS (Relieving type) .....	<b>N-CONP-E-REL</b>
Nitrogen control panel English DISS (Non-Relieving type) .....	<b>N-CONP-E</b>
Nitrogen control panel English “Dyna-Quip” HP (Relieving type) .....	<b>N-CONP-E-HP-REL</b>
Nitrogen control panel English “Dyna-Quip” HP (Non-Relieving type) .....	<b>N-CONP-E-HP</b>
Nitrogen control panel French DISS (Non-Relieving type) .....	<b>N-CONP-F</b>
Air control panel English DISS (Relieving type) .....	<b>N-CAIR-E-REL</b>
Air control panel English DISS (Non-Relieving type) .....	<b>N-CAIR-E</b>



- |     |                         |                |      |                          |                 |
|-----|-------------------------|----------------|------|--------------------------|-----------------|
| 1.  | Gauge 0-400 psi         | M-X-MAN-52B    | 8.   | Bushing 1/2" * 3/8"      | N-X-BUSH        |
| 2.  | Tee (Female)            | N-X-TEE-FEMALE | 9.   | Conector 3/8"            | N-X-CON-375     |
| 3a. | Regulator Relieving     | N-X-REG-W-HP-R | 10.  | Elbow 1/4" Female        | N-X-ELBOW       |
| 3b. | Regulator Non-Relieving | N-X-REG-W-HP   | 11a. | DISS Check - Nitrogen    | S-DIS-DEMC-NIT  |
| 4.  | Shut-off Valve          | N-X-VALVE      | 11b. | DISS Check - Medical Air | S-DIS-DEMC-AIR  |
| 5.  | Brass Elbow             | N-X-ELBOW-MALE | 11c. | Dyna-Quip Check          | N-X-CON-ADA-B25 |
| 6.  | Tee (Female)            | N-X-TEE        | 12.  | Elbow 1/2" * 3/8"        | N-X-ELBOW-0305  |
| 7.  | Connector 3/8"          | N-X-CON-375    | 13.  | Braided Pigtail          | N-X-PIGTAIL     |
|     |                         |                | 14.  | Pigtail / Pipe Adapter   | N-X-PT-ADAPTER  |
|     |                         |                | 15.  | Gas Panel Back Box       | N-X-BOX         |



85 Fulton Way, Richmond Hill, ON, L4B 2N4, Canada  
14 Madison Rd., Fairfield, NJ, 07004, USA

Phone: (905) 764-0800, Fax: (905) 764-0862  
Phone: 1-877-GO AMICO (1-877-462-6426), [www.amico.com](http://www.amico.com)