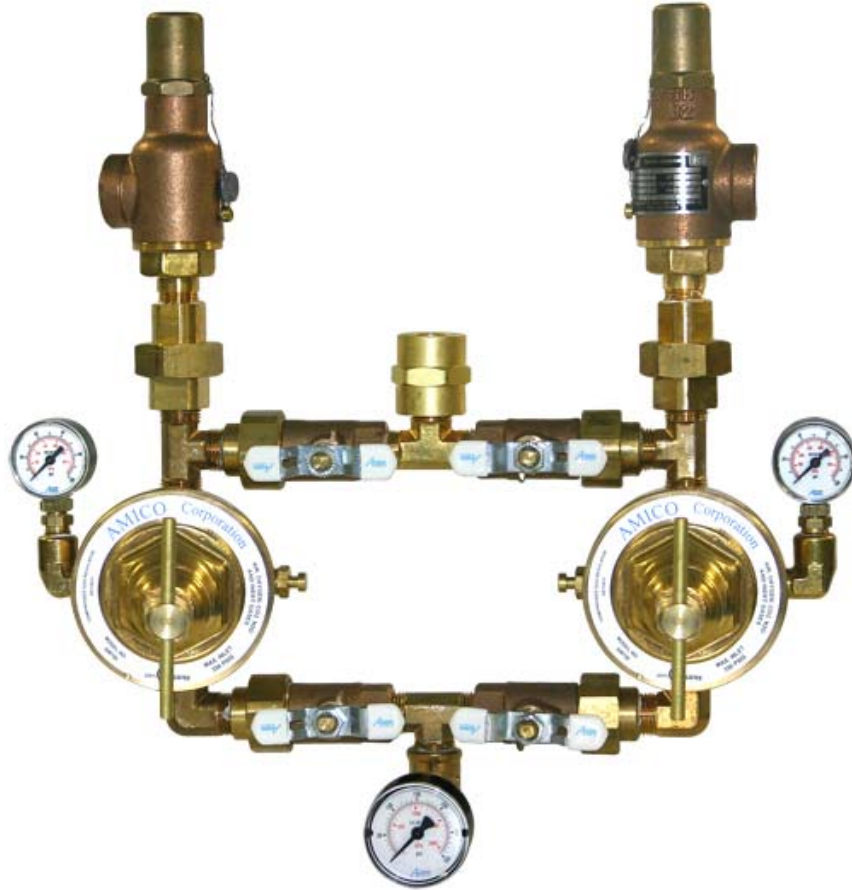




DUAL LINE REGULATING STATION

With dual relief valves as per CSA Z305.1-92.

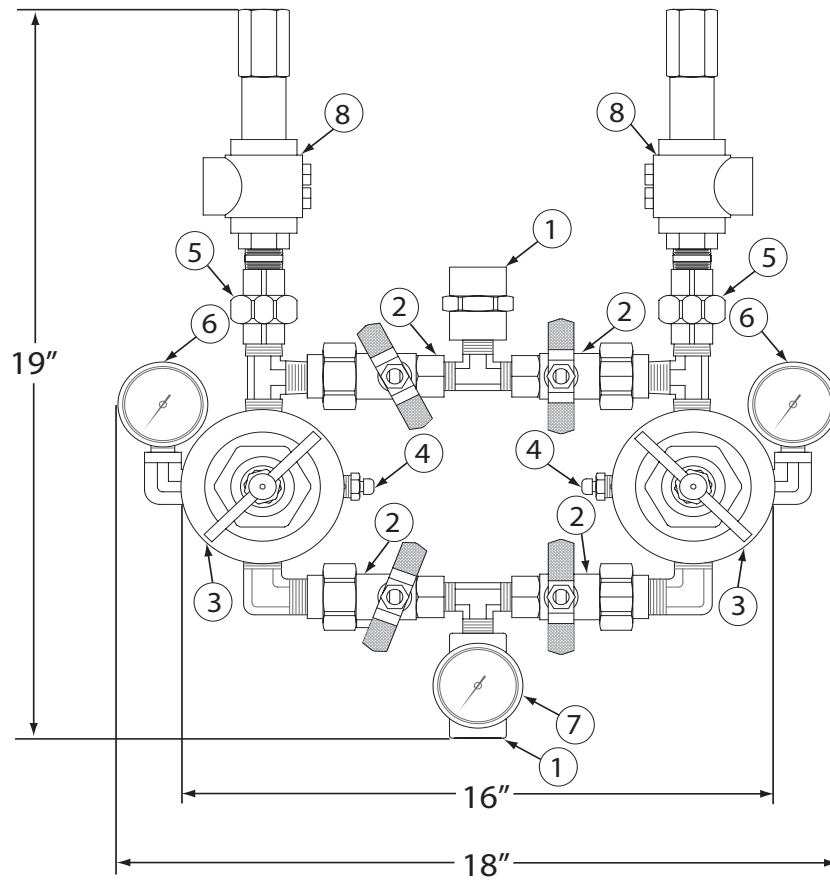


MODEL NUMBERS:

M-DLRS-CSA-05 =1/2" Dual line assembly

PROJECT:

D I M E N S I O N S



NOTE: Dimensions are approximate.

- 1 - 1/2" NPT Threads
- 2 - 1/2" Isolation Valves
- 3 - L 700 Regulator
- 4 - Bleed Valve
- 5 - 1/2" Union
- 6 - Pressure Gauge
- 7 - Line Pressure Gauge
- 8 - Relief valve

Note: 1/2" Dual line assembly is commonly used.

Note: Nitrogen requires a 300 psi Pressure Gauge and all other gases require 100 psi.

D I S T R I B U T E D B Y :



14 Madison Rd., Fairfield, NJ 07004 USA
85 Fulton Way, Richmond Hill, ON L4B 2N4 Canada

Tel: 1-877-GOAMICO (1-877-462-6426)
Fax: (905) 764-0862 www.amico.com