

CONSOLE UNIT



SPECIFICATIONS:

The console unit shall be an Amico **Alert-1** series.

The console unit has a removable front assembly for ease of mounting to the back box.

The console is supported by a galvanized steel bracket which shall be attached to the structural wall by means of four screws (not supplied by Amico).

The fascia front assembly is made from extruded, clear anodized aluminium with moulded plastic end caps, for a clean appearance. The back box is made from galvanized steel, 0.060" thick.

The medical gas piping terminates as blank capped ends 5" above the console back box.

All specified devices are factory installed in the console backbox. The electrical devices are separated, but they are not pre-wired.

NOTE: Exact dimensions are to be determined by the customer.

NOTE: A blank provision should be placed between Medical Gas Outlets and Vacuum Bottle Slide Holders.

The Console is **UL** Listed to U.S. and Canadian safety standards.

Amico products comply with NFPA-99.



FEATURES:

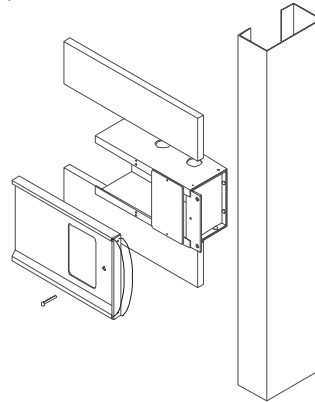
- Removable front fascia for ease of maintenance and installation.
- Single cutout dimension for all accessories (outlets & electrical) devices are on a 2.5" centre.
- Fascia is anodized aluminium with moulded plastic end caps for a clean, aesthetic appearance.

PROJECT:

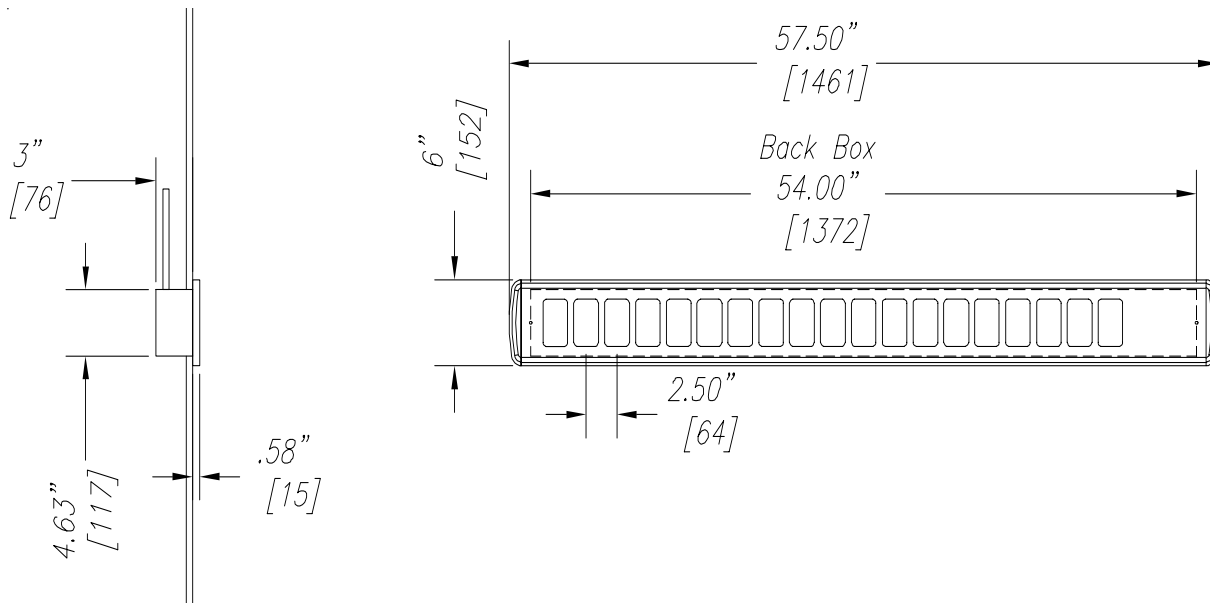


INSTALLATION INFORMATION

Flush mount the console back box to the drywall. The fascia shall sit on the drywall.



A Series
ALERT-1



# of Gangs	3	5	7	9	11	13	15	17	19	21	23
DIM - A Length of front	12.5" (317.5mm)	17.5" (444.5mm)	22.5" (571.5mm)	27.5" (698.5mm)	32.5" (825.5mm)	37.5" (952.5mm)	42.5" (1079.5mm)	47.5" (1206.5mm)	52.5" (1333.5mm)	57.5" (1460.5mm)	62.5" (1587.5mm)
Length of Back box	9" (228.6mm)	14" (355.6mm)	19" (482.6mm)	24" (609.6mm)	29" (736.6mm)	34" (863.6mm)	39" (990.6mm)	44" (1117.6mm)	49" (1244.6mm)	54" (1371.6mm)	59" (1498.6mm)

DISTRIBUTED BY: