



RETRACTABLE ELECTRICAL RECEPTACLE

SPECIFICATIONS:

The retractable electrical receptacle shall be an Amico **Alert-1** series.

The finished assembly consists of the following:

- a one piece chrome fascia plate
- an etched and clear anodized plate
- the appropriate electrical device as indicated

The hose assembly shall be customizable in length.

The receptacle can be wall or ceiling mounted.

All receptacles and plugs shall be factory assembled and tested.

Amico products comply with NFPA-99.



① *Electrical Receptacle & Hose Retractor*



② *Twist Lock Plug &*
③ *Connector Body*



Electrical Twist Receptacle

2P3W, 20A 125V, Non-Nema, Phenolic, Back Wired, Black

Hose Retractor

The retractor wire is manufactured out of 48” stainless steel heavy duty cable.

Twist Lock Plug

2P3W, 20A 125V, Non-Nema, Nylon Cover, Thermoset Interior, Black

Twist Lock Connector Body

2P3W, 20A 125V, Non-Nema, Nylon cover, Thermoset Interior, Black

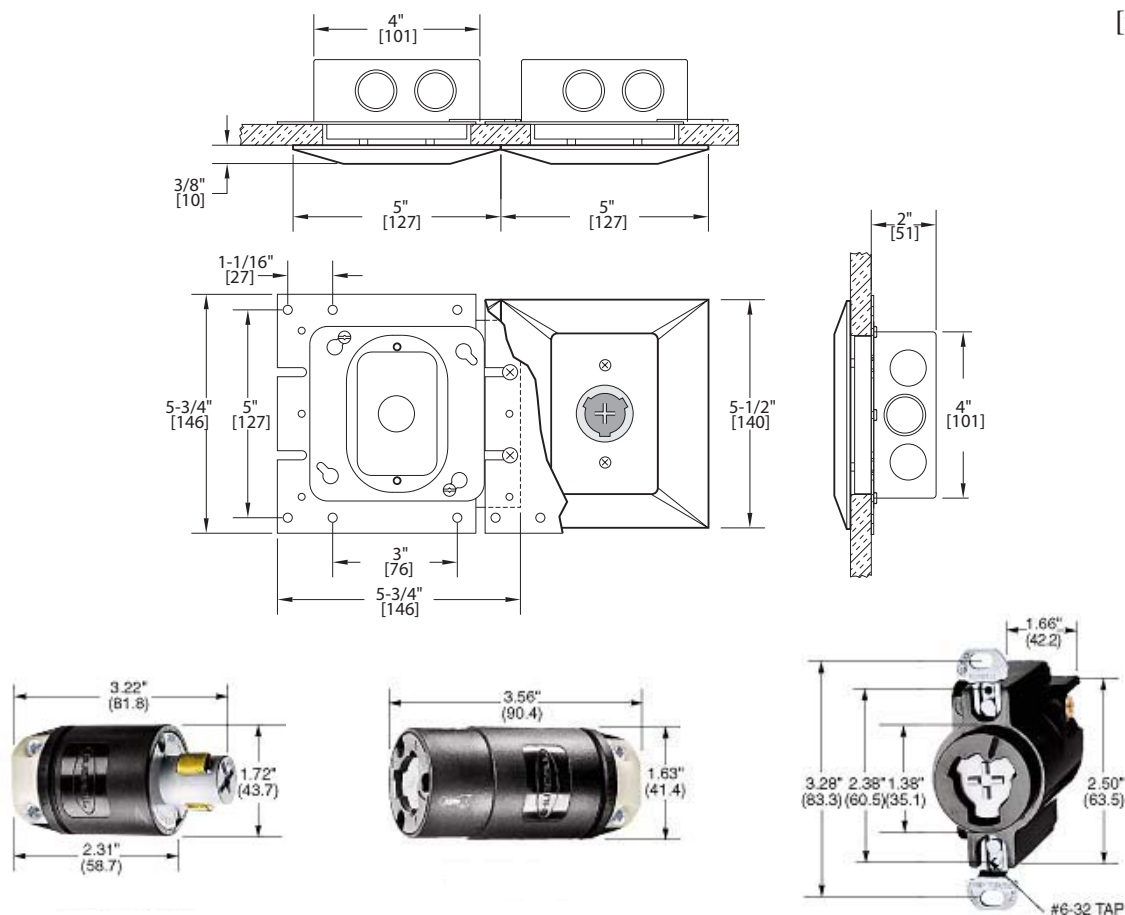
Note: Cord clamp range for plug and connector is .300” to .650” (7.6 to 16.5)

PROJECT:



DIMENSIONS

inch
[mm]



A Series
ALERT-1

MODEL NUMBERS

Electrical Twist Receptacle (HG) 20A Blk
 Ceiling Hose Receptacle - 5' or 6' Long
 Hose Assembly - Twist M*F - 4', 5', 8', 12' or 16' Long
 Hose Assembly - Twist M*F Simplex - 5' or 8' Long
 Hose Retractor Heavy Duty

O-WAL-TWIST
O-TWCEI-120-XX (05 or 06)
O-TWIST-HOSE-XX (04, 05, 08, 12, or 16)
O-TWIST-SIM-XX (05 or 08)
S-HOSE-RET-HD

Note: Electrical/blanks can be ganged together with wall outlets.

DISTRIBUTED BY:



14 Madison Rd., Fairfield, NJ 07004 USA
 85 Fulton Way, Richmond Hill, ON L4B 2N4 Canada

Tel: 1-877-GO AMICO (1-877-462-6426)
 Fax: (905) 764-0862 www.amico.com