



# RETRACTABLE CEILING COLUMN OUTLET

## SPECIFICATIONS:

The medical gas outlet shall be an Amico **Alert-1** series.

Outlet back bodies shall be manufactured with a DISS gas specific fitting which accepts only DISS specific adapters. Body shall be 1 - 5/16" [33 mm] diameter one piece brass construction. For positive pressure gas services, the outlet shall be equipped with a primary and secondary check valve and the secondary check valve shall be rated at a maximum of 200 psi [1,379 kPa] in the event the primary check valve is removed for maintenance. Outlet bodies shall be gas specific by indexing each gas service to a gas specific dual pin indexing arrangement on the respective identification module.

A large color coded front plate shall be used for ease of gas identification and aesthetic appeal.

With the back rough-in mounted, the outlet shall adjust up to 3/4" [19 mm] variation in mounting plate thickness.

The latch-valve assembly shall be Ohmeda Diamond™ Quick Disconnect, Chemetron Quick Disconnect, Puritan-Bennett Quick Disconnect, or DISS depending on the type ordered.

All M.R.I. outlets are manufactured from nonferrous material.

All outlets shall be cleaned and degreased for medical gas service, factory assembled and tested.

The outlet are **UL** listed and **CSA** approved.

Amico products comply with NFPA-99.



## FEATURES:

- Flow rate exceeds the requirements of NFPA and CSA
- Accepts only DISS gas specific adapters
- 100% hydrostatic testing of each outlet and cleaned for medical gas service
- Indexed to eliminate interchangeability of gas services
- Up to 3/4" [19 mm] mounting plate thickness adjustment.
- Universal rough-in assembly to accept Quick Disconnects or DISS Front Adapters (Can be interchanged at any time)
- Outlets are also available for M.R.I. use
- DISS back body connection

## PROJECT:

---



---



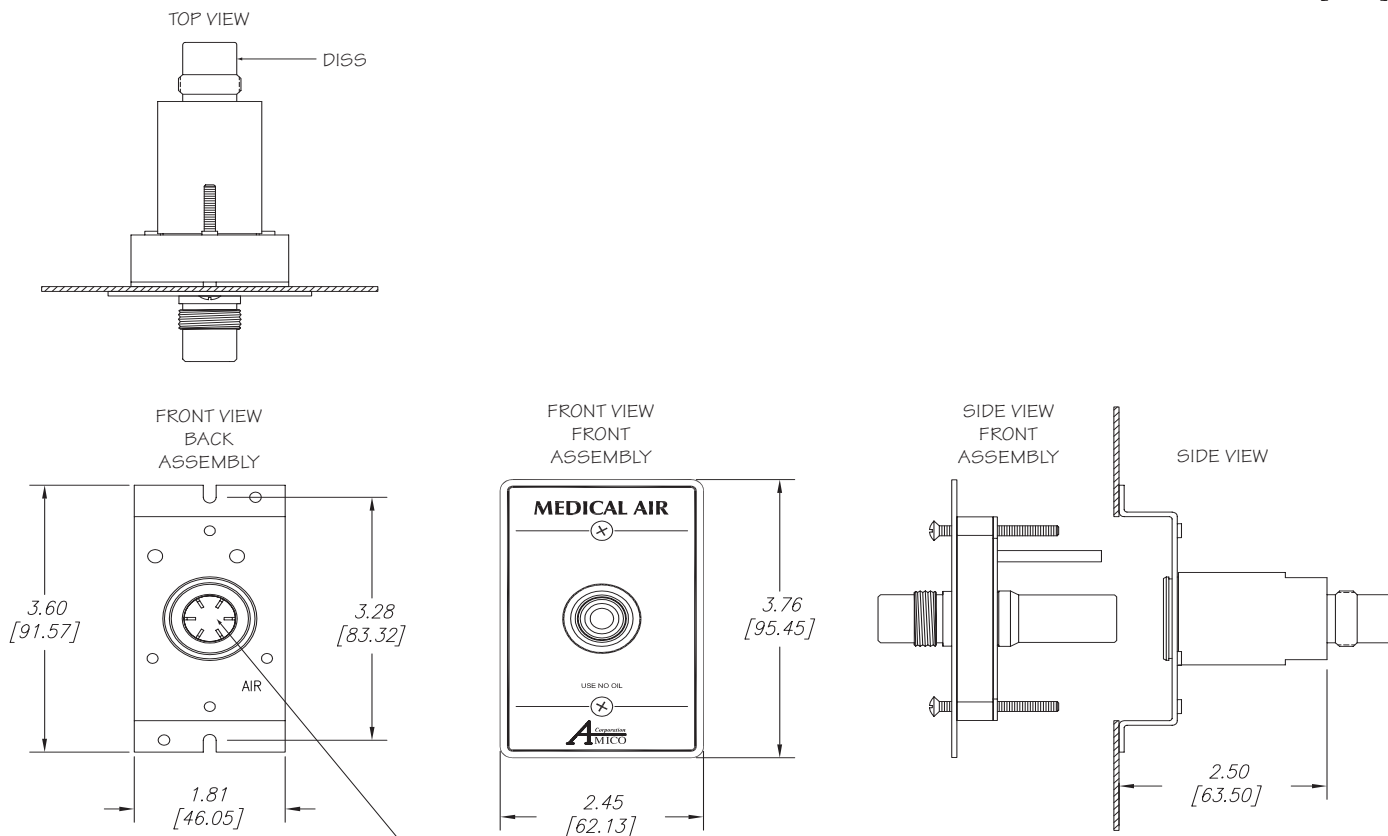
---



# D I M E N S I O N S

**NOTE: DISS shown.**

inch  
[mm]



<sup>1</sup>**NOTE:** Suction inlets are not supplied with a secondary check valve.  
A pressure plug is provided for testing purposes, rated at 150 psi [1,034 kPa].



## M O D E L N U M B E R S

- DI = DISS
- QD = OHMEDA compatible
- CH = CHEMETRON compatible
- PB = PURITAN-BENNETT compatible

The L defines the Language:

- U = English (NFPA) Oxy, Air, Vac and WAG only
- E = English (CSA/ISO)
- F = French (CSA/ISO)
- S = Spanish (NFPA)

**O-DICRET-L-XXX**

Example:  
English NFPA - DISS, Oxygen = O-DICRET-U-OXY

The XXX defines the Gas:

- Oxygen = OXY
- Medical Air = AIR
- MedVac<sup>1</sup> = VAC
- Nitrous Oxide = N2O
- \*Nitrogen = NIT
- \*\*Carbon Dioxide = CO2
- \*Carbogen = CAR
- Waste Anesthetic Gas Disposal<sup>1</sup> (NFPA) = WAG
- Anesthetic Gas Scavenging System<sup>1</sup> (CSA) = AGS

\* = Available only in DISS  
\*\* = Available only in DISS and Ohmeda

<sup>1</sup>Please see note above

## D I S T R I B U T E D B Y :



14 Madison Rd., Fairfield, NJ 07004 USA  
85 Fulton Way, Richmond Hill, ON L4B 2N4 Canada

Tel: 1-877-GO AMICO (1-877-462-6426 )  
Fax: (905) 764-0862 www.amico.com