



# OVERBED LIGHT

## SPECIFICATIONS:

The overbed light shall be an Amico **Alert-2** series.

The fixture shall be made of 20 gauge steel housing and aluminum extruded lamp housing.

It shall protrude no more than 6 3/4" (171 mm) from the wall or 11" (280 mm) in the fold down position. The (2) lamp housing shall house four T8 lamps (by others). There shall be two 2-lamp high power factor class P, CBM, "A" sound rated ballasts for separate uplight and downlight operation with 120V, 60Hz electronic ballasts (optional 240 or 277 volts).

Lenses shall be high impact resistant clear ribbed acrylic plastic with the upper lense directing light up and out for indirect room lighting and the bottom lense for directing light downward and out towards the patient area. The top lamp compartment shall swing down towards the patient at approximately 35 degrees to allow for patient examination. Handles are to be provided for this purpose at each end.

Front panels shall be clear anodized aluminum extrusion with full-length support channels for both top and bottom lenses and shall accept a replaceable plastic laminated decor panel.

Switching shall be accomplished by means of an optional four-position pull chain switch, located in the centre of the fixture. It shall allow sequential patient control of: down / up / both / off. Other switching options include a variety of switching applications where low voltage patient control is required. As an optional choice, this can be accomplished through the use of an Amico solid state low voltage controller.

The light shall have a Bed-Stop interlock safety system, this disconnects the power to the bed, if the bed or a bed mounted I.V. Pole is raised high enough to make contact with the light.

The Overbed Light is **UL** Listed.



## FEATURES:

- Independent ballasts for up and down lights
- Independent circuits are switched according to the individual needs of the facility
- Decorator insert panels are available in standard selections of colors and patterns from Wilson Art and Formica
- Optional low-voltage solid state controller puts switching, normally controlled through the nurse handset, within easy reach
- Pull-down handles conveniently swivel the upward light down towards the patient area, directing it right where it is needed
- Automatic Bed-Stop safety feature
- Fine-textured, powder coated, beige finish with etched clear anodized trim

## PROJECT:

---

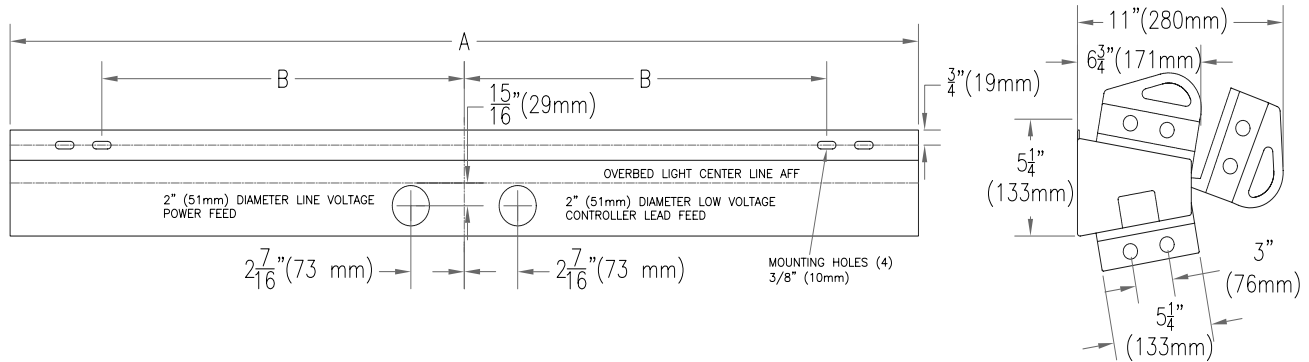


---



---

# MOUNTING & DIMENSIONAL DATA

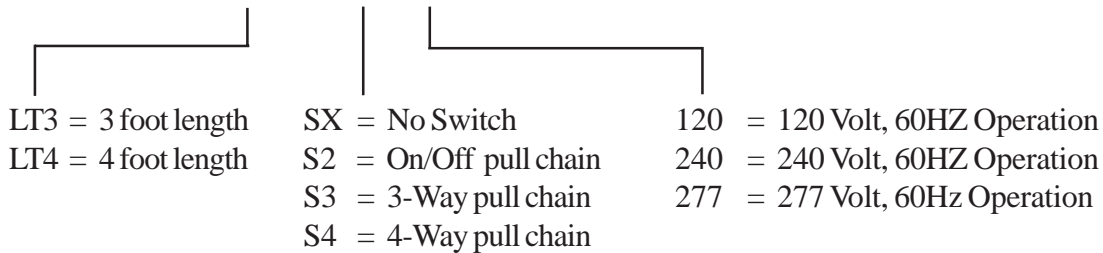


Nominal length	A		B	
	in	mm	in	mm
3 feet	36-7/8	937	13-1/2	343
4 feet	48-7/8	1241	19-1/2	495

Weight: 19.0 lbs (8.6 kg)

## MODEL NUMBERS

### W-LTX-SX-XXX



#### Optional Items (to be shown in description only)

- NL = Night Light 6 Watt, 120 Volt
- E2 = Hospital Grade Duplex Receptacle

To be ordered as a separate item, but can be installed in bed light when requested:

- W-LVC-120** = Low Voltage Controller 120 Volt
- W-LVC-240** = Low Voltage Controller 240 Volt
- W-LVC-277** = Low Voltage Controller 277 Volt

Please note T8 lamps are not included with light.

Please specify color for Formica or Wilson Art decor panel, standard is Antique White.

## DISTRIBUTED BY:

