

SPECIFICATIONS:

The Dental gas outlet shall be an Amico **Alert-1** series.

Outlets shall be manufactured with a 165 mm [6-1/2"] length type "K" 9.5 mm [3/8"] outside diameter copper inlet pipe stub, which is silver brazed to the outlet body. Body shall be 33 mm [1-5/16"] diameter one piece brass construction. For positive pressure gas services, the outlet shall be equipped with a primary and secondary check valve and the secondary check valve shall be rated at a maximum of 1379 kPa [200 psi] in the event the primary check valve is removed for maintenance. Outlet bodies shall be gas specific by indexing each gas service to a gas specific dual pin indexing arrangement on the respective identification module.

A large color coded front plate shall be used for ease of gas identification and aesthetic appeal.

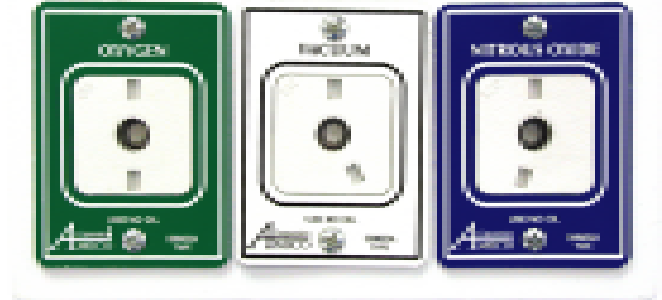
A one piece aluminum sub plate shall cover the outlet. With the backbox mounted the outlet shall adjust from 10 mm [3/8"] to 25 mm [1"] variation in wall thickness.

The outlets shall be of modular design and include a gas specific 1.6 mm [16 ga.] steel mounting plate designed to permit on-site ganging of multiple outlets, in any order, on 127 mm [5"] spacing .

The latch\valve assembly shall be Ohmeda Diamond™ (Ohio Medical) Quick Disconnect compatible and accept only corresponding Ohmeda type gas specific adapters.

Outlets are **UL** Listed and **CSA** approved.

Amico products comply with NFPA-99.



FEATURES:

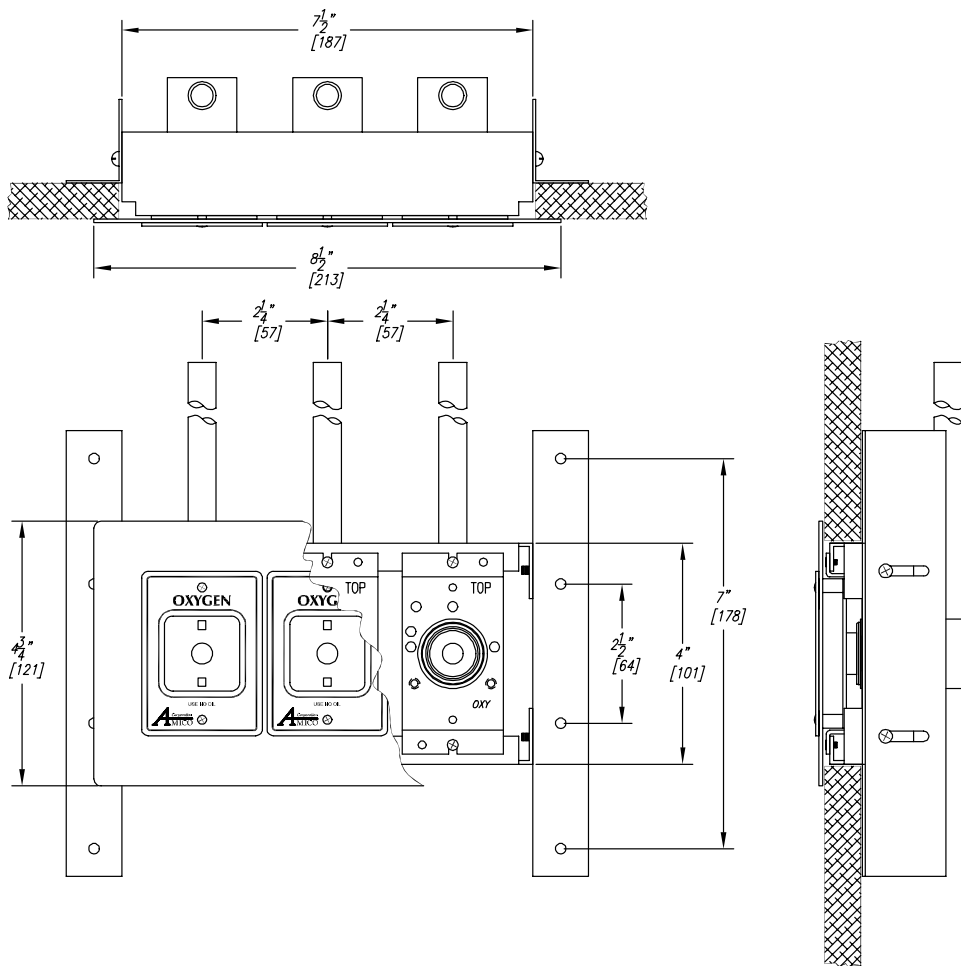
- Pressure drop of less than 17 kPa [2.5 psi] through the outlet @ 120l/min and 345 kPa [50 psig] inlet pressure
- Accepts Ohmeda Diamond™ gas specific adapters
- 100 % hydrostatic testing of each outlet and cleaned for medical gas service
- Indexed to eliminate interchangeability of gas services
- Up to 25 mm [1"] wall thickness adjustment
- 360° swivel inlet pipe for easy installation
- Universal rough-in assembly/back-box to accept Quick Disconnects or DISS front adapters (Can be interchanged at any time)
- Outlets are also available for M.R.I. use



PROJECT:

D I M E N S I O N S

inch
[mm]



NOTE: Suction inlets are not supplied with a secondary check valve.
A pressure plug is provided for testing purposes, rated at 150 psi [1,034 kPa].



M O D E L N U M B E R S

O-QDDENT-U-XXX

The XXX defines the Gas:

U = English (USA Colors)
Oxy, N2O and Vac only

Oxygen	=	O
Vacuum	=	V
Nitrous Oxide	=	2

Example:
English USA = O-QDDENT-U-O2V

D I S T R I B U T E D B Y :

