

SPECIFICATIONS:

The LVC (Low Voltage Controller) shall be an Amico Alert-2 series.

When an over bed light is controlled through a nurse call handset, bedrail or pendant switch an Amico LVC is required.

The Amico LVC housing shall be made of 16 gauge aluminum with an 18 gauge galvanized steel mounting plate.

The LVC can be controlled **Sequential** or **Individual**.

For **Sequential** control, a momentary single pole switch is used to control both lights (can be installed at multiple locations and are wired in parallel) as follows:

1. Up light on
2. Up light off and Down light on
3. Both on
4. Both off

For **Individual** control (each load is controlled independently), a momentary 3-way switch is used for control (can be installed at multiple locations and are wired in parallel) as follows:

Up: Up light on and off cycles with each push of the button.

Down: Down light on and off cycles with each push of the button.

The LVC is a UL Recognized Component.

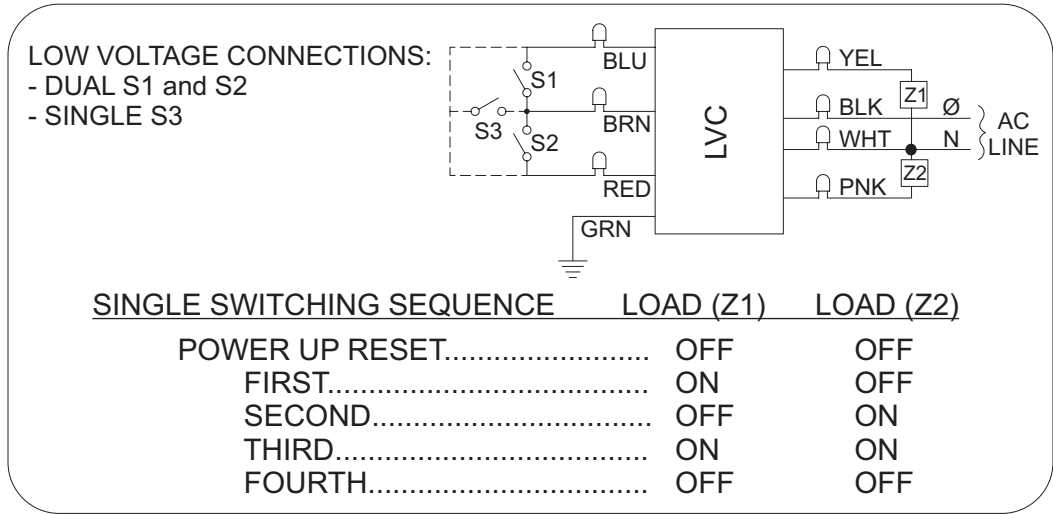
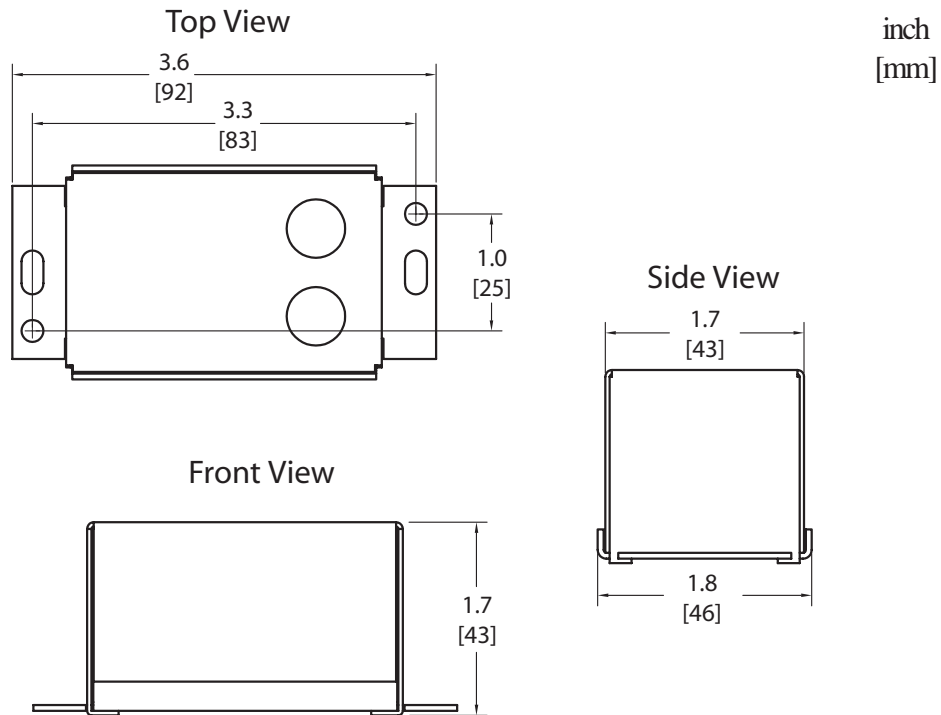


FEATURES:

- Capable of sequential or individual control of (2) circuit loads
- Low voltage control for patient safety
- Ultra-compact design allows for installation within almost any fixture
- Compatible with all manufactured nurse-call products
- Relay switching for two light outputs (up & down)
- Available voltage: 120 Vac = 5 amp resistive
240 Vac = 5 amp resistive
277 Vac = 3 amp resistive
(50/60 Hz)

PROJECT:

MOUNTING & DIMENSIONAL DATA



MODEL NUMBERS

Low Voltage Controller - 120 Vac = **W-LVC-120**
 Low Voltage Controller - 240 Vac = **W-LVC-240**
 Low Voltage Controller - 277 Vac = **W-LVC-277**

DISTRIBUTED BY: