

SPECIFICATIONS:

The rigid ceiling column shall be an Amico **Alert-1** series.

The rigid surgery ceiling column shall be a 12" x 12" square column. The length of the column shall be determined by the finished ceiling height.

The column is supported by a heavy gauge steel mounting plate which shall be attached to the structural (provided by others) ceiling by means of four 1/2" threaded rods.

The shroud is made of 16 gauge 304 stainless steel with a #4 satin finish and includes a full length access panel. All required surface fasteners are stainless steel.

The medical gas piping terminates as blank capped ends 8" above the ceiling.

A stainless steel ceiling collar (made from 4 sections) is supplied with the unit.

All devices are factory installed on either side or on the bottom of the column. Electrical devices are pre-wired, unless otherwise stated.

NOTE: Ceiling height is to be determined by the customer.

The Rigid Column accommodates:

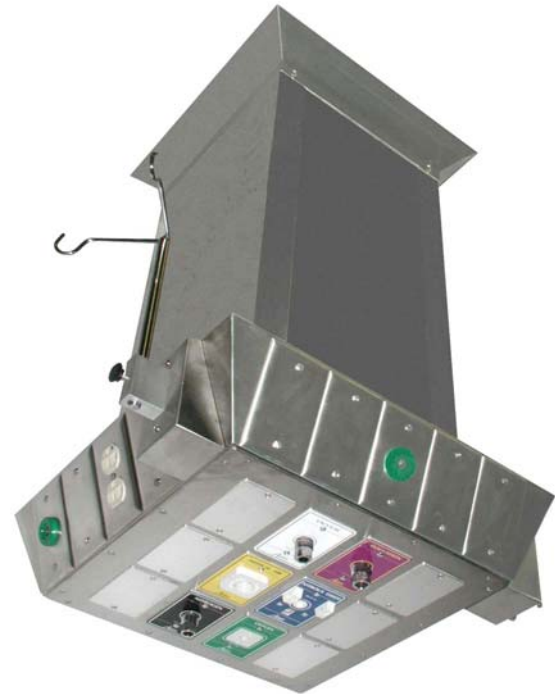
- Up to 12 gas service outlets in any desired sequence.
- Electrical outlets can be added on either of the four sides of the column.
- Any combination of ground jacks, computer outlets, communication devices, slides and I.V. hooks, can also be mounted on the side panels.

The Ceiling Column is **UL** Listed to U.S. and Canadian safety standards.

Amico products comply with NFPA-99.

Ceiling Column Model Number:

C-COL-RIGD

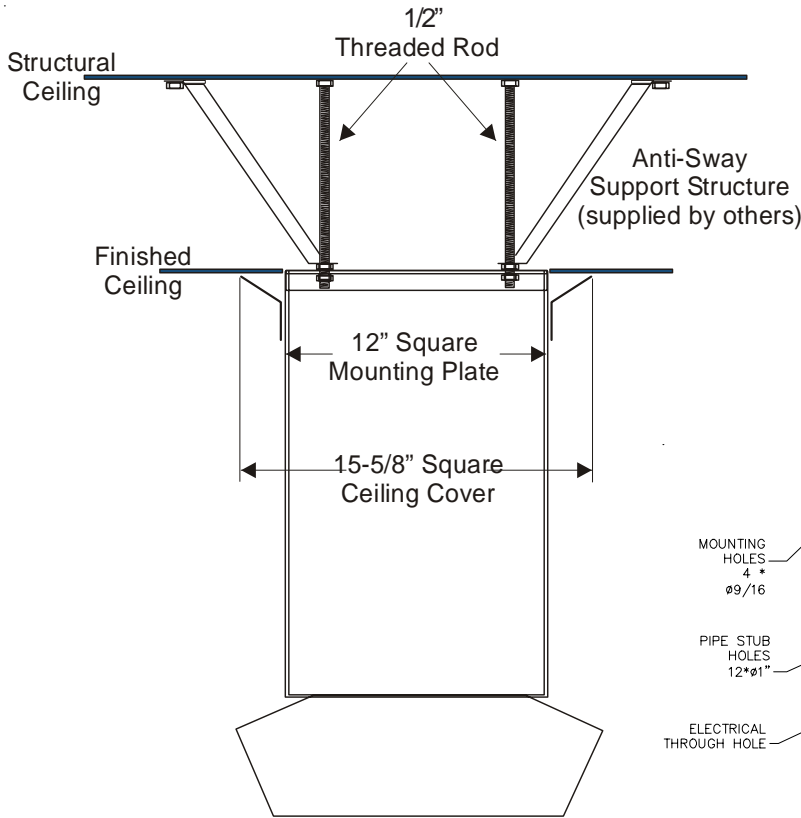


FEATURES:

- The rigid ceiling column provides a modern efficient method of supplying gas and electrical services in surgery or special care areas. The ceiling column eliminates hoses and cables from the floor.
- For use in anaesthetizing locations, the gas outlets are bottom mounted. Units for specialized care areas have side mounted outlets to facilitate the use of secondary equipment.
- This compact ceiling suspended unit may be equipped with isolated power centers, grounding and electrical receptacles, I.V. hooks, computer and communication outlets.

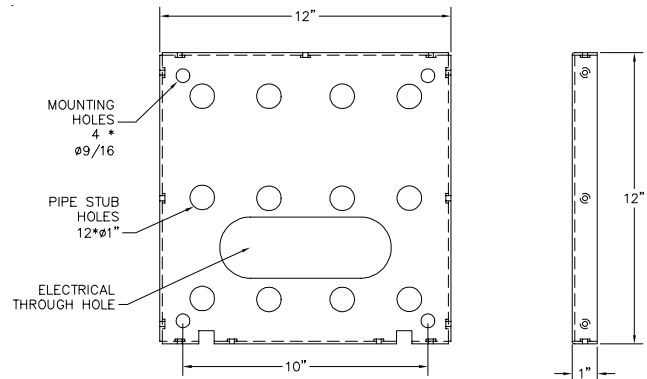
PROJECT:

INSTALLATION INFORMATION



NOTES

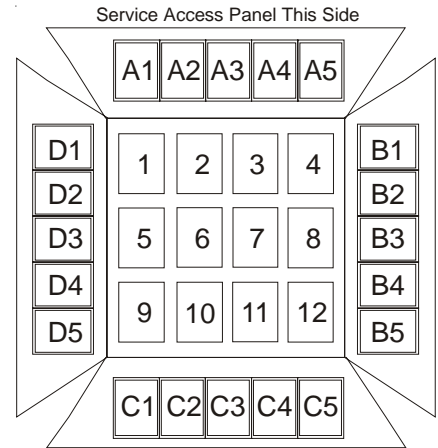
1. 1/2" Support rods located for total support of fixture (minimum 400lb. load). All labour and materials for support fabrication including nuts and washers for installation to be supplied by General Contractor.
2. Contractor has final responsibility for the strength and stability of the mounting structure.
3. Mounting structure supplied by others.



UTILITIES LOCATION

Customer Order Information

Ceiling columns are custom manufactured to customers specifications. The drawing (right), indicates the possible locations of services. Select the services desired and fill in the appropriate position number or letter (A1-D5 or 1-12) in the accessory charts below. A total of 32 services may be installed. AMICO requires a signed, approved copy of this specification before fabrication will begin.



Number of units: _____
 Ceiling Column height: _____
 Specify Ceiling Height: 9'-0" / 9'-6" / 10'-0".
 Positions 1-12 = Medical Gas Outlets
 Positions A1-D5 = Electrical and/or Communication Devices

Bottom View
Looking Up

Note:
2 Receptacles
or Gases cannot
be placed together
at corners.

CHART POSITION

GAS SERVICE	POSITIONS	ELECTRICAL and/or COMMUNICATION	POSITION
Oxygen		Duplex Receptacle - Hospital Grade - Red or Ivory 125V 20amp	
Medical Air		Duplex Receptacle - Hospital Grade - Red or Ivory 125V 15amp	
MedVac		Simplex Receptacle - Hospital Grade - Red or Ivory 125V 20amp	
WAGD/AGSS		Simplex Receptacle - Hospital Grade - Red or Ivory 125V 15amp	
Nitrogen		Twist-Lock Receptacle - Hospital Grade - 23000HG-Hubbell	
Nitrous Oxide		I.V. Hook - Duplex only	
Carbon Dioxide		Nitrogen Control Panel (takes one complete side)	
		Vacuum Bottle Slide Holder	
		Blank for Future Use	