

# BED LOCATOR



## SPECIFICATIONS:

The bed locator shall be an Amico **Alert-2** series.

The bed locator cover shall be made of Vacuum formed very high impact material.

It shall protrude no more than 4-1/2" from the wall. The height of the bed locator is 22" and the width is 50".

The bed locator can accommodate up to 4 electrical/communication devices on the left and right side of the unit.

The bed locator is **UL** Listed to U.S. and Canadian safety standards.



## FEATURES:

- Provides a clean and aesthetic appearance in any patient room
- Low-voltage solid state controller puts switching, normally controlled through the nurse handset, within easy reach
- Easy to clean and disinfect with standard household cleaners

## PROJECT:

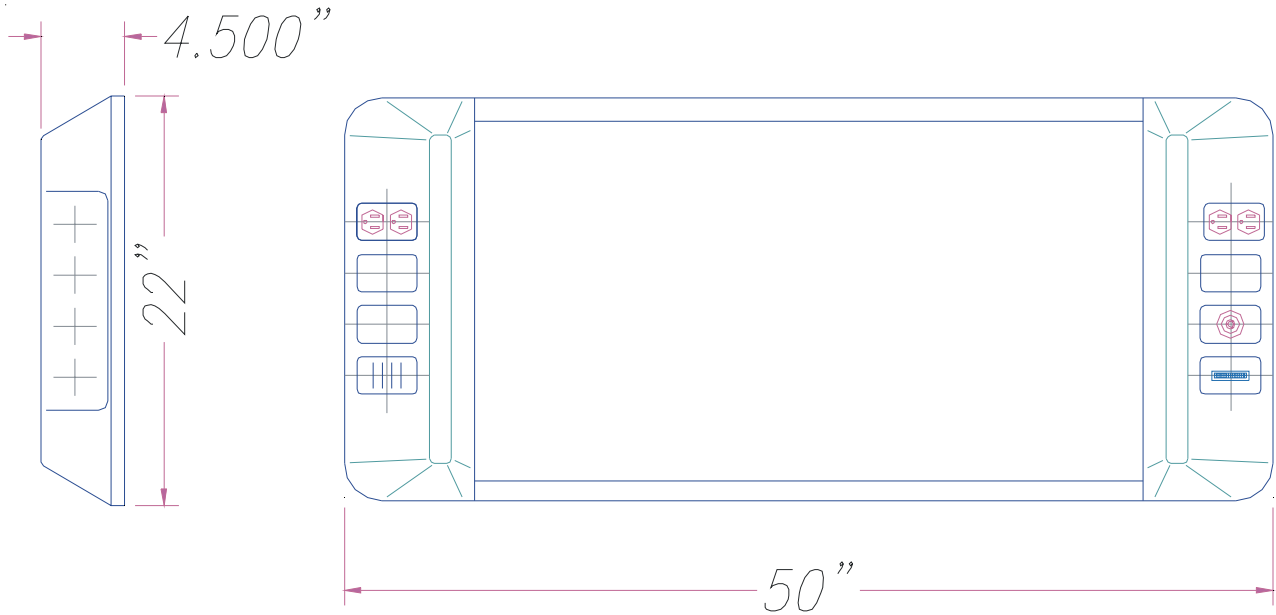
---

---

---



# MOUNTING & DIMENSIONAL DATA



## MODEL NUMBERS

# W-BED-LOCATOR

## PLACEMENT GRID:

Legend	ELECTRICAL and/or COMMUNICATION	POSITION	
		LEFT	RIGHT
<b>E1</b>	Duplex Receptacle - Hospital Grade - Red or Ivory 125V 20amp		
<b>E2</b>	Duplex Receptacle - Hospital Grade - Red or Ivory 125V 15amp		
<b>S1</b>	Simplex Receptacle - Hospital Grade - Red or Ivory 125V 20amp		
<b>S2</b>	Simplex Receptacle - Hospital Grade - Red or Ivory 125V 15amp		
<b>T1</b>	Twist-Lock Receptacle - Hospital Grade - 23000HG-Hubbell		
<b>NL</b>	Night Light		
<b>BL</b>	Blank Provision		
<b>BR</b>	Bed Receptacle		
<b>37</b>	37-Pin Receptacle		

## DISTRIBUTED BY:

